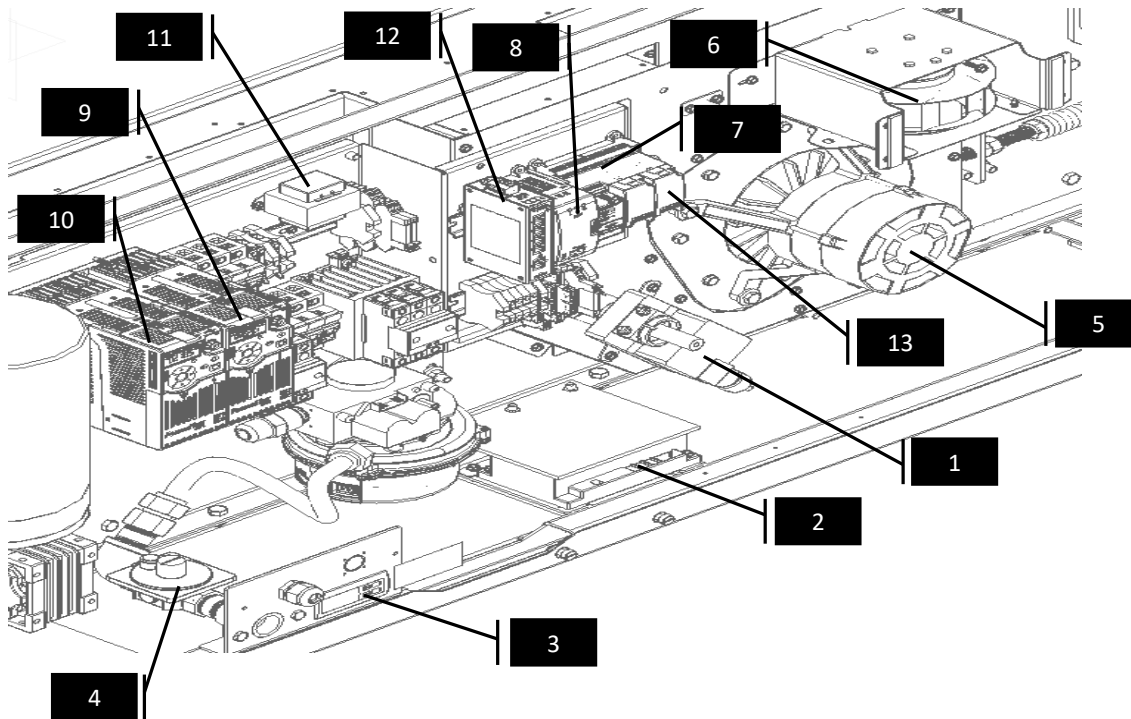
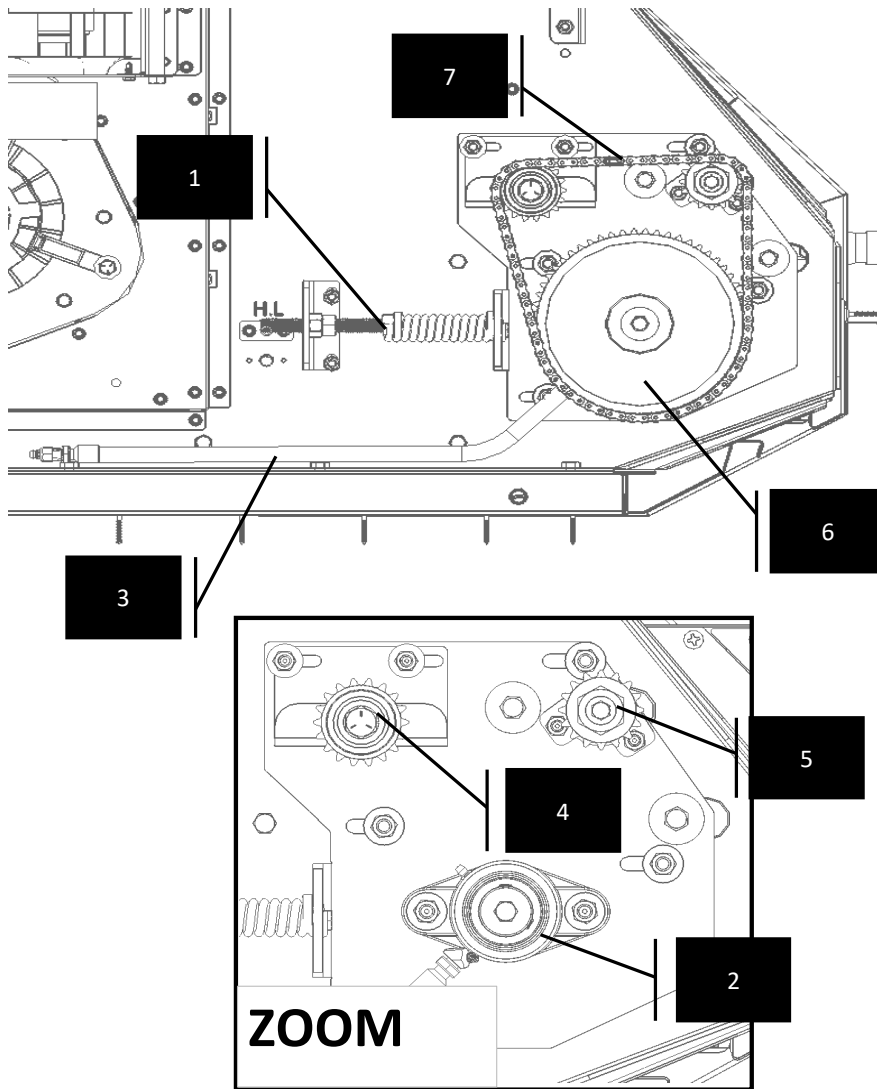


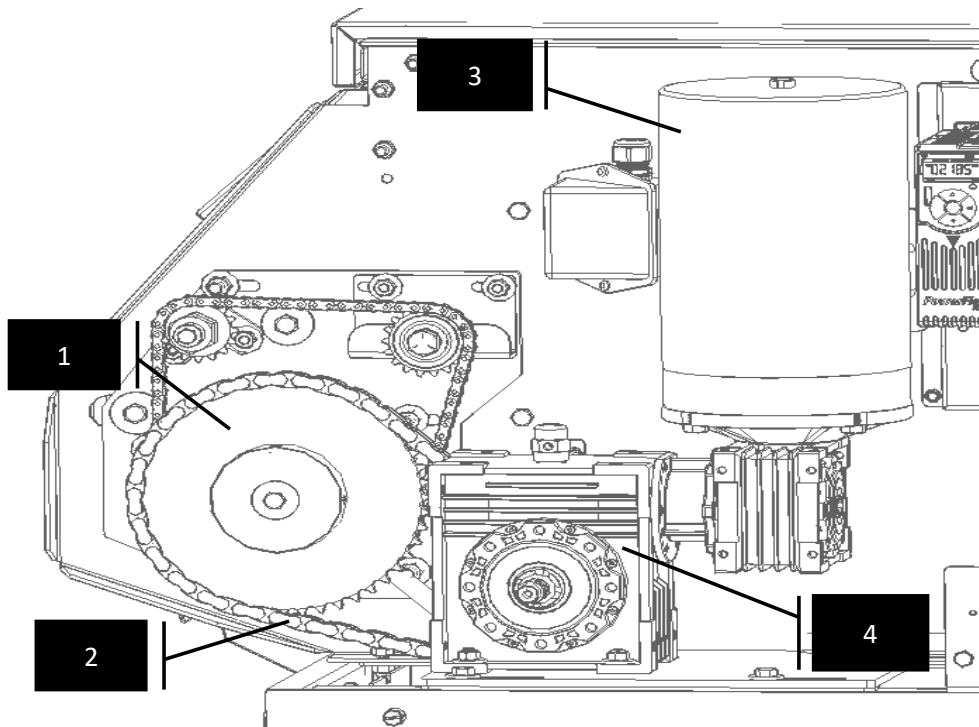
ITEM	PART#	DESCRIPTION	MODEL
1	HR04-0040-A	FRONT RIGHT CORNER	ALL MODELS
2	HR04-0038-A	FRONT LEFT CORNER	ALL MODELS
3	HR01-0477-A	BACK LEFT CORNER	ALL MODELS
4	HR01-0136-A	BACK RIGHT CORNER	ALL MODELS
5	026-1410	EMERGENCY STOP BUTTON	ALL MODELS
6	026-1414	REVERSE BUTTON	ALL MODELS
7	HR11-0056-A	HMI PROGRAMMED	ALL MODELS



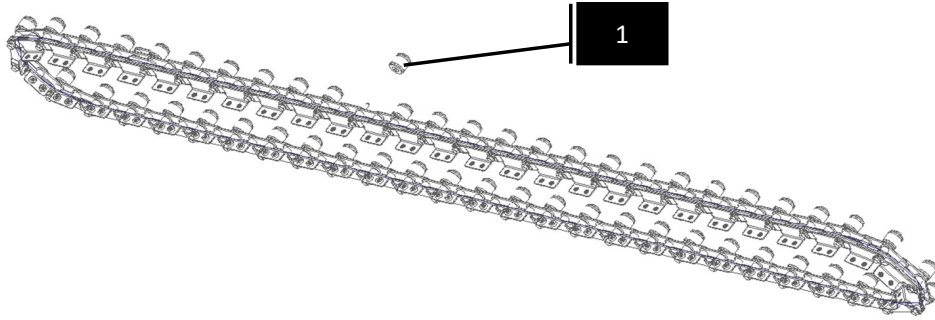
ITEM	PART#	DESCRIPTION	MODEL
1	HR11-0057-A	DAMPER ACTUATOR	ALL MODELS
2	HR11-0067-A	IGNITION CONTROL	ALL MODELS
3	HR11-0049-A	HIGH LIMIT TEMPERATURE CONTROLLER	ALL MODELS
4	HR11-0081-A	GAS REGULATOR	ALL MODELS
5	HR11-0061-A	CONVECTION FAN WITH A MOTOR	ALL MODELS
6	HR11-0059-A	ELECTRICAL COMPARTMENT COOLING FAN	ALL MODELS
7	HR11-0055-A	PLC UNIT	ALL MODELS
8	HR11-0101-A	POWER SUPPLY	ALL MODELS
9	HR11-0053-A	VARIABLE FREQUENCY DRIVE 0.5HP	ALL MODELS
10	HR11-0054-A	VARIABLE FREQUENCY DRIVE 1HP	ALL MODELS
11	HR11-0079-A	TRANSFORMER 40VA 208/240V - 24VAC 50/60HZ	ALL MODELS
12	HR11-0100-A	ETHERNET MODULE	ALL MODELS
13	HR11-0099-A	CARTRIDGE I/O EXTENSION THERMOCOUPLE MICRO800	ALL MODELS
X	HR11-0091-A	OVEN ETHERNET CABLES	ALL MODELS
X	HR11-0050-A	WIRE HARNESS (POWER)	ALL MODELS
X	HR11-0051-A	WIRE HARNESS (AC)	ALL MODELS
X	HR11-0052-A	WIRE HARNESS(DC)	ALL MODELS
X	HR11-0098-A	FUSE KIT (GEN3)	ALL MODELS
X	HR11-0097-A	RELAY 24 VDC	ALL MODELS
X	HR11-0077-A	THERMOCOUPLE 12 IN WIRE	ALL MODELS
X	EL64-0105	THERMOCOUPLE 60 IN WIRE	ALL MODELS
X	HR06-0011-N	208-240VAC MOTOR PIGTAIL	ALL MODELS
X	HR06B0002	IGNITION CABLES FOR HOTROCKS	ALL MODELS



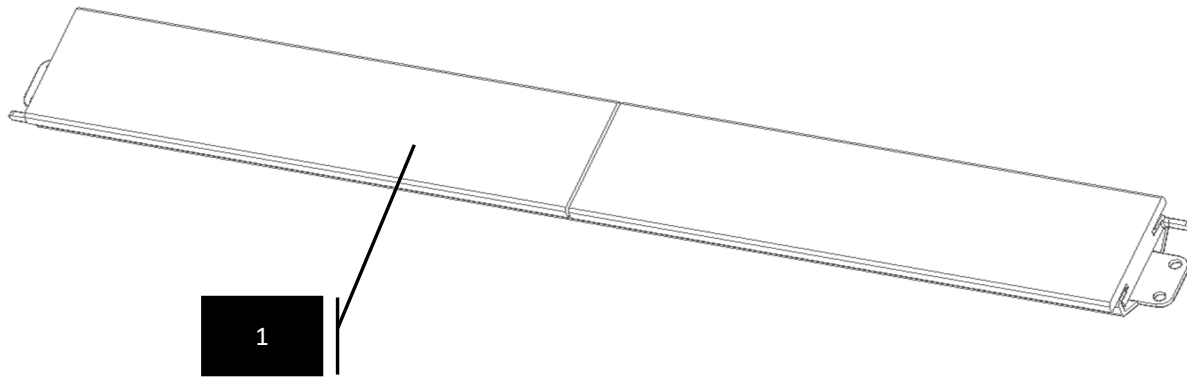
ITEM	PART#	DESCRIPTION	MODEL
1	QU28-0156	COMPRESSION SPRING	ALL MODELS
2	HR11-0072-A	HIGH TEMPERATURE BEARING	ALL MODELS
3	HR11-0078-A	GREASING TUBE	ALL MODELS
4	HR11-0093-A	CHAIN TENSIONNER	ALL MODELS
5	HR11-0045-A	CONVEYOR DRIVING SHAFT CLUTCH	ALL MODELS
6	ME57-0198	SPROCKET #35	ALL MODELS
7	ME61-0058	CHAIN #35	ALL MODELS



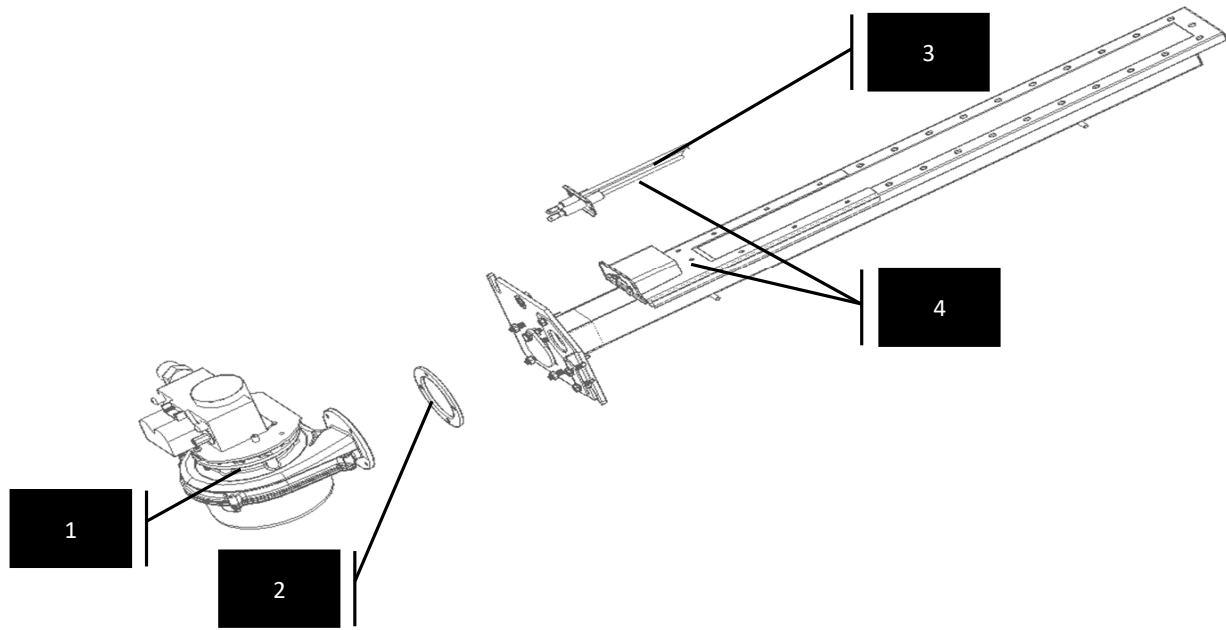
ITEM	PART#	DESCRIPTION	MODEL
1	ME57-0175	SPROCKET #40	ALL MODELS
2	HR11-0082-A	CHAIN #40	ALL MODELS
3	HR11-0058-A	MOTOR 1/4HP 1800RPM CONVEYOR	ALL MODELS
4	HR11-0085-A	GEARBOX	ALL MODELS



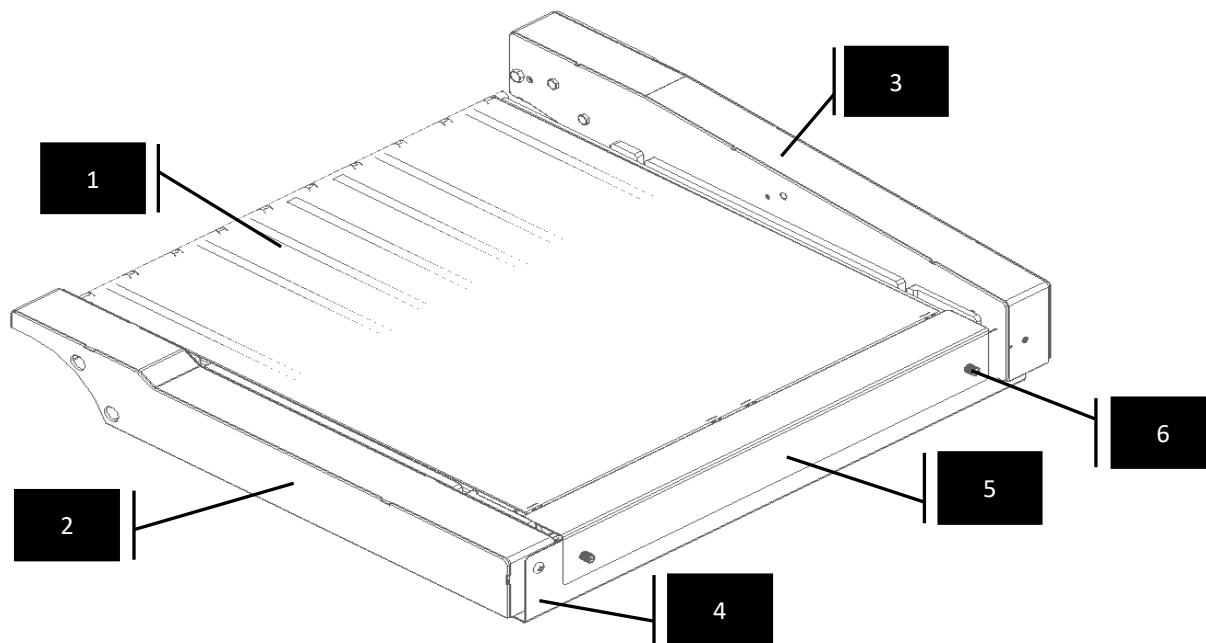
ITEM	PART#	DESCRIPTION	MODEL
ASS'Y	HR05-0033-A	ASSEMBLY CHAIN	HR70-22/HR70-33
ASS'Y	HR05-0172-A	ASSEMBLY CHAIN	HR93-33
1	HR11-0001-A	BUSHING KIT FOR CONVEYOR (5 PACK)	ALL MODELS



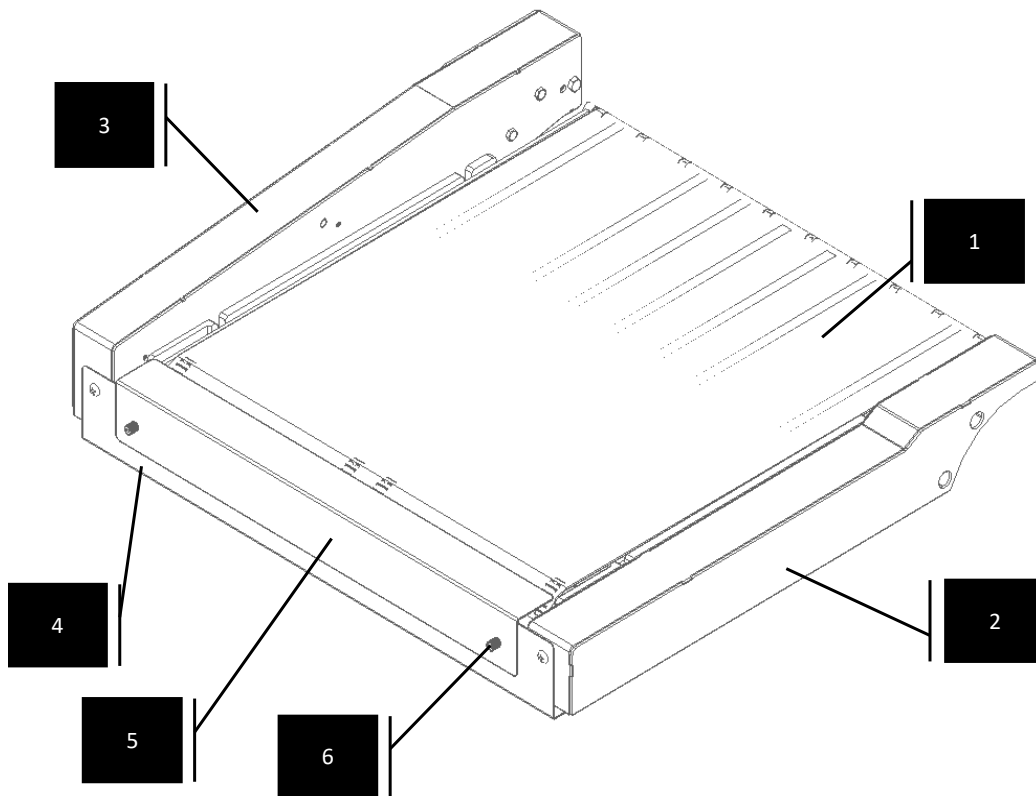
ITEM	PART#	DESCRIPTION	MODEL
ASS'Y	HR05-0154-A	ASSEMBLY STONE	HR70-22
ASS'Y	HR05-0034-A	ASSEMBLY STONE	HR70-33/HR93-33
ASS'Y	HR05-0172-A	ASSEMBLY STEEL	HR70-22
ASS'Y	HR05-0134-A	ASSEMBLY STEEL	HR70-33/HR93-33
1	ME84-0023	GRANITE STONE 10,96IN	HR70-22
1	ME84-0024	GRANITE STONE 16,46IN	HR70-33/HR93-33



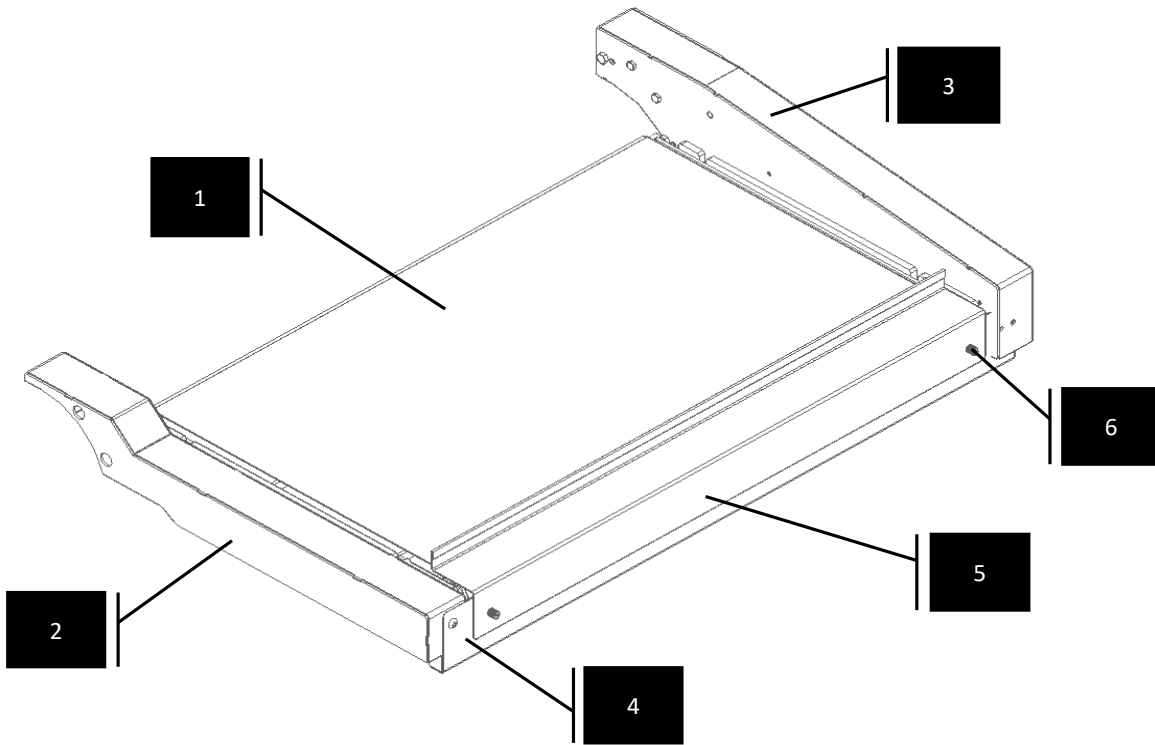
ITEM	PART#	DESCRIPTION	MODEL
1	HR11-0004-A	BLOWER NATURAL GAS	HR70-22
1	HR11-0005-A	BLOWER PROPANE GAS	HR70-22
1	HR11-0006-A	BLOWER NATURAL GAS	HR70-33
1	HR11-0007-A	BLOWER PROPANE GAS	HR70-33
1	HR11-0008-A	BLOWER NATURAL GAS	HR93-33
1	HR11-0009-A	BLOWER PROPANE GAS	HR93-33
2	RE800418	BURNER SEAL	ALL MODELS
3	HR11-0028-A	KIT FLAME SENSOR-SPARK ROD	ALL MODELS
4	HR11-0015-A	KIT BURNER W/O BLOWER NATURAL GAS	HR70-22
4	HR11-0018-A	KIT BURNER W/O BLOWER PROPANE GAS	HR70-22
4	HR11-0021-A	KIT BURNER W/O BLOWER NATURAL GAS	HR70-33/HR93-33
4	HR11-0023-A	KIT BURNER W/O BLOWER PROPANE GAS	HR70-33/HR93-33



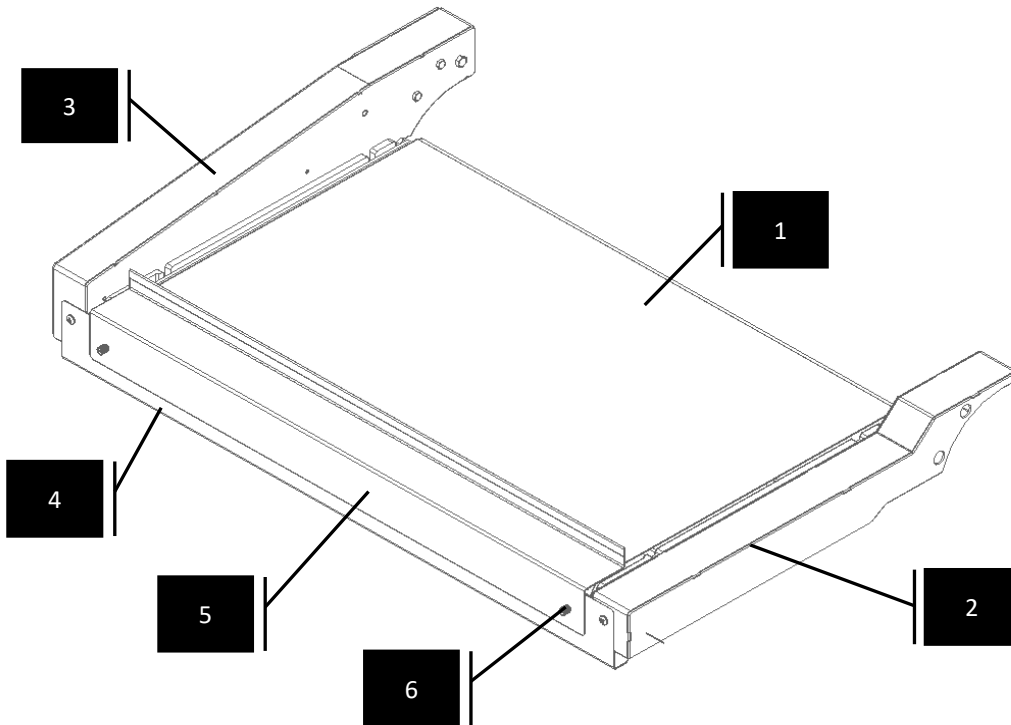
ITEM	PART#	DESCRIPTION	MODEL
1	HR11-0108-A	ENTRY CONVEYOR MESH	HR-70-22
1	HR11-0106-A	ENTRY CONVEYOR MESH	HR-70-33/HR-93-33
1	HR11-0104-A	ENTRY CONVEYOR	HR-70-22
1	HR11-0102-A	ENTRY CONVEYOR	HR-70-33/HR-93-33
2	HR05-0216-A	RIGHT FRONT ARM FOR LEFT EXIT CONFIG	ALL MODELS
3	HR11-0112-A	RIGHT BACK ARM FOR LEFT EXIT CONFIG	ALL MODELS
4	HR04-0189-A	BREADCRUMB PAN HOLDER	HR-70-33/HR-93-33
4	HR04-0187-A	BREADCRUMB PAN HOLDER	HR-70-22
5	HR01B0009	ADMISSION FINITION BRACKET	HR-70-33/HR-93-33
5	HR01B0017	ADMISSION FINITION BRACKET	HR-70-22
6	QU28-0492	THUMB SCREW	ALL MODELS



ITEM	PART#	DESCRIPTION	MODEL
1	HR11-0108-A	ENTRY CONVEYOR MESH	HR-70-22
1	HR11-0106-A	ENTRY CONVEYOR MESH	HR-70-33/HR-93-33
1	HR11-0104-A	ENTRY CONVEYOR	HR-70-22
1	HR11-0102-A	ENTRY CONVEYOR	HR-70-33/HR-93-33
2	HR05-0198-A	LEFT FRONT ARM FOR RIGHT EXIT CONFIG	ALL MODELS
3	HR11-0110-A	LEFT BACK ARM FOR RIGHT EXIT CONFIG	ALL MODELS
4	HR04-0189-A	BREADCRUMB PAN HOLDER	HR-70-33/HR-93-33
4	HR04-0187-A	BREADCRUMB PAN HOLDER	HR-70-22
5	HR01B0009	ADMISSION FINITION BRACKET	HR-70-33/HR-93-33
5	HR01B0017	ADMISSION FINITION BRACKET	HR-70-22
6	QU28-0492	THUMB SCREW	ALL MODELS



ITEM	PART#	DESCRIPTION	MODEL
1	HR11-0109-A	EXIT CONVEYOR MESH	HR-70-22
1	HR11-0107-A	EXIT CONVEYOR MESH	HR-70-33/HR-93-33
1	HR11-0105-A	EXIT CONVEYOR	HR-70-22
1	HR11-0103-A	EXIT CONVEYOR	HR-70-33/HR-93-33
2	HR05B0059	RIGHT FRONT ARM FOR RIGHT EXIT CONFIG	ALL MODELS
3	HR11-0111-A	RIGHT BAK ARM FOR RIGHT EXIT CONFIG	ALL MODELS
4	HR04-0189-A	BREADCRUMB PAN HOLDER	HR-70-33/HR-93-33
4	HR04-0187-A	BREADCRUMB PAN HOLDER	HR-70-22
5	HR01B0177	EXIT CONVEYOR STOPPER	HR-70-33/HR-93-33
5	HR01A0260	EXIT CONVEYOR STOPPER	HR-70-22
6	QU28-0492	THUMB SCREW	ALL MODELS



ITEM	PART#	DESCRIPTION	MODEL
1	HR11-0109-A	EXIT CONVEYOR MESH	HR-70-22
1	HR11-0107-A	EXIT CONVEYOR MESH	HR-70-33/HR-93-33
1	HR11-0105-A	EXIT CONVEYOR	HR-70-22
1	HR11-0103-A	EXIT CONVEYOR	HR-70-33/HR-93-33
2	HR05B0064	LEFT FRONT ARM FOR LEFT EXIT CONFIG	ALL MODELS
3	HR11-0113-A	LEFT BACK ARM FOR LEFT EXIT CONFIG	ALL MODELS
4	HR04-0189-A	BREADCRUMB PAN HOLDER	HR-70-33/HR-93-33
4	HR04-0187-A	BREADCRUMB PAN HOLDER	HR-70-22
5	HR01B0177	EXIT CONVEYOR STOPPER	HR-70-33/HR-93-33
5	HR01A0260	EXIT CONVEYOR STOPPER	HR-70-22
6	QU28-0492	THUMB SCREW	ALL MODELS