



# HOT ROCKS

## SPECIFICATION SHEET

### FEATURES



- / Granite stone conveyor guarantees an even distribution and retention of heat
- / Compatible with natural or propane gas
- / User friendly touchscreen panel
- / Up to 4 programmable recipes
- / 2 to 30 minutes cook-time
- / Top convection temperature up to 750°F (400°C)
- / Baking surface temperature up to 600°F (315°C)
- / Easy to access crumb trays
- / Stainless steel wire mesh entry and exit conveyor
- / Simplified removal of entry & exit conveyors
- / Stainless steel exterior panels
- / Large side door
- / Stackable up to 3 decks high
- / On wheels for easy moving

### OVEN OUTPUT

| HR-70-22 (Baking Surface: 22 inch width x 70 inch length) |         |         |       |     |         |       |     |         |       |     |         |       |     |
|-----------------------------------------------------------|---------|---------|-------|-----|---------|-------|-----|---------|-------|-----|---------|-------|-----|
| Pizza Size                                                |         | 12 inch |       |     | 14 inch |       |     | 16 inch |       |     | 18 inch |       |     |
| Cooking Time (min)                                        |         | 4       | 5 1/2 | 7   | 4       | 5 1/2 | 7   | 4       | 5 1/2 | 7   | 4       | 5 1/2 | 7   |
| # Pizzas per Hour                                         | 1 Deck  | 152     | 111   | 87  | 90      | 65    | 51  | 70      | 51    | 34  | 59      | 43    | 34  |
|                                                           | 2 Decks | 305     | 222   | 174 | 180     | 130   | 102 | 140     | 102   | 68  | 119     | 86    | 68  |
|                                                           | 3 Decks | 457     | 333   | 261 | 270     | 195   | 154 | 210     | 153   | 102 | 178     | 130   | 102 |

| HR-70-33 (Baking Surface: 33 inch width x 70 inch length) |         |         |       |     |         |       |     |         |       |     |         |       |     |
|-----------------------------------------------------------|---------|---------|-------|-----|---------|-------|-----|---------|-------|-----|---------|-------|-----|
| Pizza Size                                                |         | 12 inch |       |     | 14 inch |       |     | 16 inch |       |     | 18 inch |       |     |
| Cooking Time (min)                                        |         | 4       | 5 1/2 | 7   | 4       | 5 1/2 | 7   | 4       | 5 1/2 | 7   | 4       | 5 1/2 | 7   |
| # Pizzas per Hour                                         | 1 Deck  | 255     | 186   | 85  | 153     | 111   | 87  | 131     | 95    | 75  | 99      | 72    | 56  |
|                                                           | 2 Decks | 511     | 371   | 170 | 305     | 222   | 175 | 263     | 191   | 150 | 197     | 143   | 113 |
|                                                           | 3 Decks | 766     | 557   | 255 | 458     | 333   | 262 | 394     | 286   | 225 | 296     | 215   | 169 |

| HR-93-33 (Baking Surface: 33 inch width x 93 inch length) |         |         |       |     |         |       |     |         |       |     |         |       |     |
|-----------------------------------------------------------|---------|---------|-------|-----|---------|-------|-----|---------|-------|-----|---------|-------|-----|
| Pizza Size                                                |         | 12 inch |       |     | 14 inch |       |     | 16 inch |       |     | 18 inch |       |     |
| Cooking Time (min)                                        |         | 4       | 5 1/2 | 7   | 4       | 5 1/2 | 7   | 4       | 5 1/2 | 7   | 4       | 5 1/2 | 7   |
| # Pizzas per Hour                                         | 1 Deck  | 342     | 248   | 195 | 203     | 148   | 116 | 174     | 127   | 100 | 134     | 97    | 77  |
|                                                           | 2 Decks | 683     | 497   | 390 | 406     | 295   | 232 | 349     | 254   | 200 | 268     | 195   | 153 |
|                                                           | 3 Decks | 1025    | 745   | 586 | 609     | 443   | 348 | 523     | 380   | 300 | 402     | 292   | 230 |

**/ Extended Warranty Program** – includes an extra year warranty for a total of 2 years instead of one, PLUS 4 maintenance kits per oven to cover all your maintenance for the next 2 years.

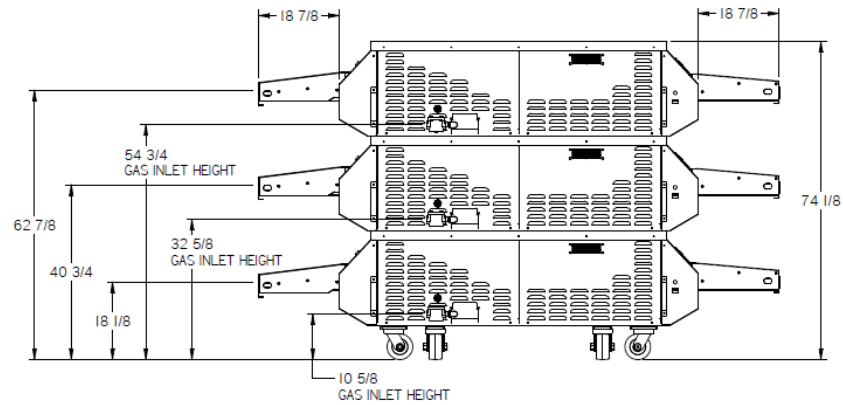
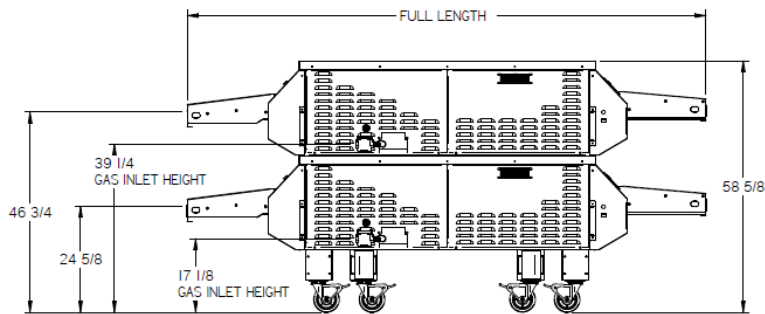
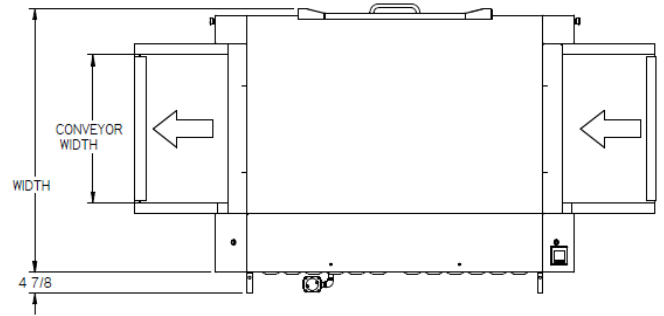
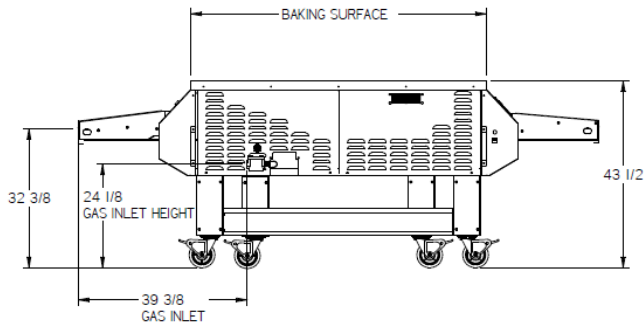
**/ Warranty** – Standard 1-year warranty on parts and labour, under normal use and service conditions. With the Extended Warranty Program, and additional year is given for a total of two (2) years.



# HOT ROCKS

## DIMENSIONS

|                       | HR-70-22   |        | HR-70-33   |        | HR-93-33   |        |
|-----------------------|------------|--------|------------|--------|------------|--------|
| <b>BAKING SURFACE</b> | 70 inch    | 178 cm | 70 inch    | 178 cm | 93 inch    | 236 cm |
| <b>CONVEYOR WIDTH</b> | 22 inch    | 56 cm  | 33 inch    | 84 cm  | 33 inch    | 84 cm  |
| <b>FULL LENGTH</b>    | 123 ½ inch | 314 cm | 123 ½ inch | 314 cm | 146 ½ inch | 372 cm |
| <b>WIDTH</b>          | 50 ½ inch  | 128 cm | 61 ½ inch  | 156 cm | 61 ½ inch  | 156 cm |



### NOTE

- / Minimum 6 inches of clearance is required on all sides of the oven.
- / When stacking multiple ovens, a high temperature silicone must be applied between each unit to provide a proper seal.



# HOT ROCKS

## INSTALLATION SPECIFICATIONS

**During the entire install, the customer must close their business. (Installs average 8-12 hours)**

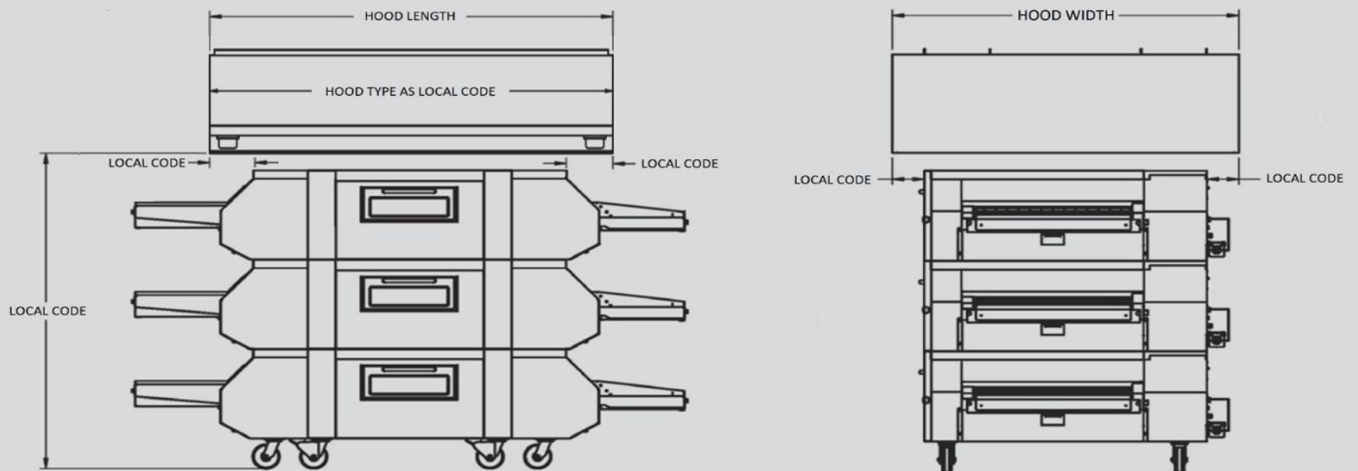
/ A Hot Rocks authorized technician will unload and assemble the oven at the customer's location. All oven parts can fit through a standard 36" x 80" door.

/ All electrical, gas, and ventilation hook-ups are at the customer's expense.

/ This work must be done by the proper trade professionals and in accordance to local codes.

### VENTILATION REQUIREMENTS

**A ventilation specialist is required**



#### NOTE

/ If a ventilation interlock device is required, refer to document. Contact Hot Rocks customer service for the *Ventilation Interlock for gas oven (7-0025-EA)* document copy.

/ A 30ft (10m) cable is available to connect to the interlock device if this option is chosen.

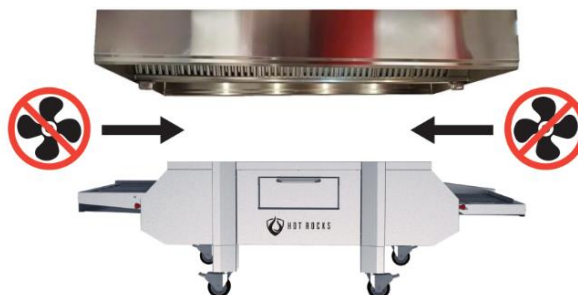
/ A jump connector is included with the oven if the interlock device is not required.

/ A dedicated gas pressure regulator is supplied with the oven. The internal oven regulator must be adjusted between 6" and 8" W.C. otherwise poor performance, ignition problem and damage to the oven may occur.

/ Hood type must meet your local code. Refer to your fire marshal or ventilation specialist.

/ Air make-up required. See a ventilation specialist.

/ Draft passing through the oven can cause severe cooking inconsistencies. See diagram below for example.





## ELECTRICAL REQUIREMENTS

**A certified electrician is required for the installation**

|                   | Voltage         | Amps       | Volt-Ampere            | Phase      | Hertz       | Cabling            |
|-------------------|-----------------|------------|------------------------|------------|-------------|--------------------|
| <b>All Models</b> | <b>208-240V</b> | <b>10A</b> | <b>2400V-A maximum</b> | <b>1PH</b> | <b>60Hz</b> | <b>3 wire cord</b> |



- NOTE**
- / Electrical connections must be made to get the proper electrical plug or directly from the main control box or from the service output to the oven in advance of the installation day.
  - / The oven comes with 5 feet power cord and 15A 250VAC plug type NEMA 6-15R. The plug can be fitted with an adaptor or changed by an electrician following the electrical requirement.



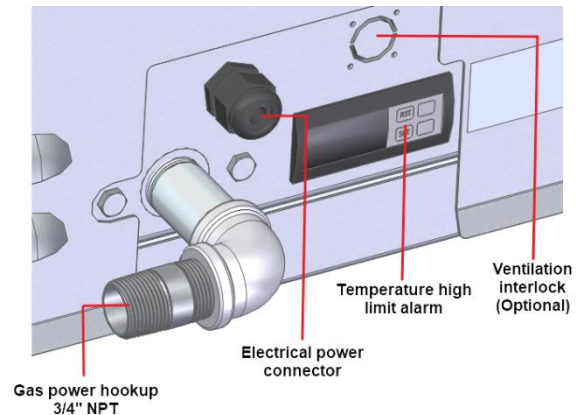
Example of plug 15A 250VAC type NEMA 6-15R:

## PLUMBING REQUIREMENTS

**A certified gas service technician is required on site for the installation**

| Type    | Gas Pipe Inlet per Deck | Oven Gas Valve Inlet Pressure | Maximum Power Per Deck (BTU/HR) |          |          |
|---------|-------------------------|-------------------------------|---------------------------------|----------|----------|
|         |                         |                               | HR-70-22                        | HR-70-33 | HR-93-33 |
| Natural | ¾ NPT                   | 6-8 inch W.C.                 | 100,000                         | 140,000  | 170,000  |

- NOTE**
- / Safety chains must connect the oven to the wall to prevent it from moving. Anchoring must be done by the customer. The length of the safety chain must prevent the flexible hoses from straightening.
  - / Safety chains are included with the oven.
  - / The gas hose and fitting does not come with the oven. The customer must purchase one and have it available on site for the installation day.
  - / The oven comes with male 3/4" NPT end connection.





# HOT ROCKS

## SHIPPING INFORMATION

| SHIPPED FLAT (HORIZONTAL) |                    |                              |          |          |                    |                              |         |          |
|---------------------------|--------------------|------------------------------|----------|----------|--------------------|------------------------------|---------|----------|
|                           | CRATE #1           |                              |          |          | CRATE #2           |                              |         |          |
|                           | WEIGHT<br>LBS (KG) | APPROX. DIMENSIONS inch (cm) |          |          | WEIGHT<br>LBS (KG) | APPROX. DIMENSIONS inch (cm) |         |          |
|                           |                    | L                            | W        | H        |                    | L                            | W       | H        |
| HR-70-22                  | 1,393 (633)        | 98 (249)                     | 71 (180) | 51 (130) | 640 (291)          | 49 (125)                     | 25 (64) | 40 (102) |
| HR-70-33                  | 1,506 (685)        | 98 (249)                     | 80 (203) | 51 (130) | 860 (391)          | 49 (125)                     | 36 (92) | 44 (112) |
| HR-93-33                  | 1,703 (774)        | 123 (313)                    | 80 (203) | 51 (130) | 1,100 (500)        | 49 (125)                     | 36 (92) | 48 (122) |

| SHIPPED ON OVEN'S SIDE (VERTICAL) |                    |                              |          |          |                    |                              |         |          |
|-----------------------------------|--------------------|------------------------------|----------|----------|--------------------|------------------------------|---------|----------|
|                                   | CRATE #1           |                              |          |          | CRATE #2           |                              |         |          |
|                                   | WEIGHT<br>LBS (KG) | APPROX. DIMENSIONS inch (cm) |          |          | WEIGHT<br>LBS (KG) | APPROX. DIMENSIONS inch (cm) |         |          |
|                                   |                    | L                            | W        | H        |                    | L                            | W       | H        |
| HR-70-22                          | 1,393 (633)        | 98 (249)                     | 48 (122) | 71 (180) | 640 (291)          | 49 (125)                     | 25 (64) | 40 (102) |
| HR-70-33                          | 1,506 (685)        | 98 (249)                     | 48 (122) | 80 (203) | 860 (391)          | 49 (125)                     | 36 (92) | 44 (112) |
| HR-93-33                          | 1,703 (774)        | 123 (313)                    | 48 (122) | 80 (203) | 1,100 (500)        | 49 (125)                     | 36 (92) | 48 (122) |