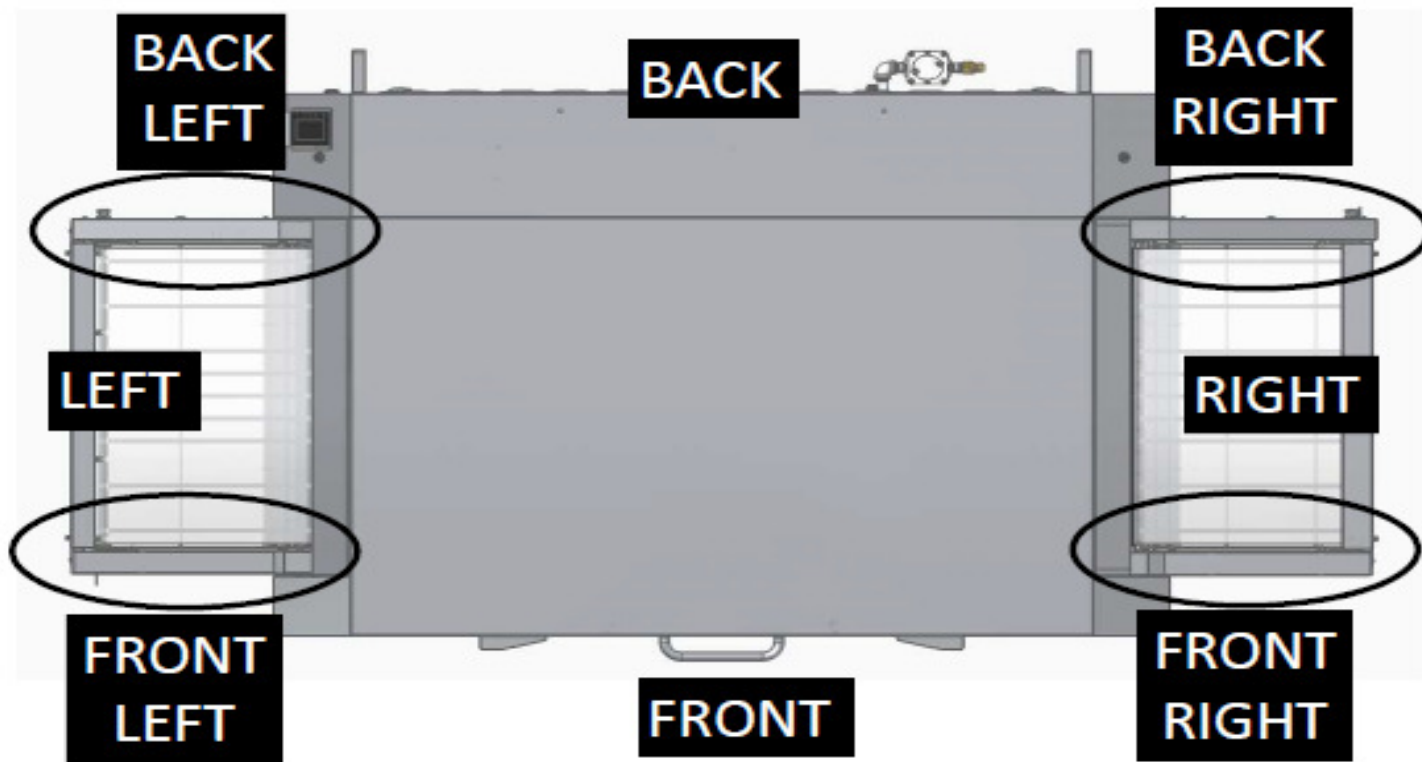


	<b>BACK ARM LEFT SIDE</b>	<b>FRONT ARM LEFT SIDE</b>	<b>BACK ARM RIGHT SIDE</b>	<b>FRONT ARM RIGHT SIDE</b>
<b>GEN 2</b> LEFT TO RIGHT OR RIGHT TO LEFT <b>FLUSH OPTION</b>	HR05A0066	HR05A0067	HR05A0046	HR05A0048
<b>GEN 2 AFTER MARCH 2017</b> RIGHT TO LEFT CASCADE <b>ANGLED STEEP SLOPE OPTION</b>	HR11-0113-A (HR05-0249-A)	HR05B0064	HR11-0064-A (HR05C0001)	HR05C0002
<b>GEN 2 AFTER MARCH 2017</b> LEFT TO RIGHT CASCADE <b>ANGLED STEEP SLOPE OPTION</b>	HR11-0063-A (HR05C0005)	HR05C0006	HR11-0111-A (HR05-0250-A)	HR05B0059
<b>GEN 2 &amp; 3</b> RIGHT TO LEFT CASCADE <b>STRAIGHT OPTION</b>	HR11-0113-A (HR05-0249-A)	HR05B0064	HR11-0112-A (HR05-0248-A)	HR05-0216-A
<b>GEN 2 &amp; 3</b> LEFT TO RIGHT CASCADE <b>STRAIGHT OPTION</b>	HR11-0110-A (HR05-0247-A)	HR05-0198-A	HR11-0111-A (HR05-0250-A)	HR05B0059



**ENTRY CONVEYOR OPTIONS**

