

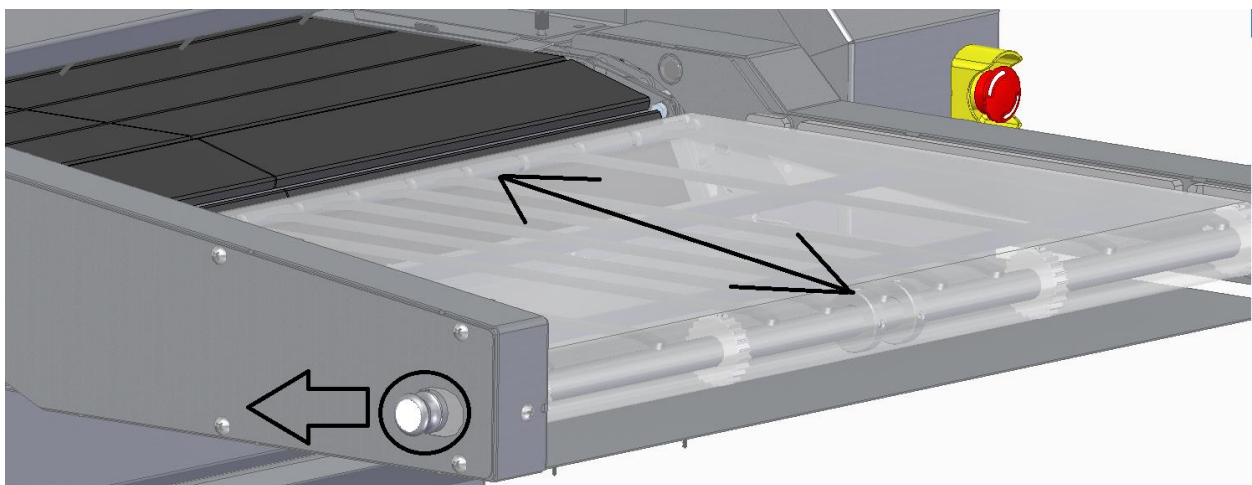
How to replace (HR11-0001-A)



Step 1

Start by removing the mesh conveyor

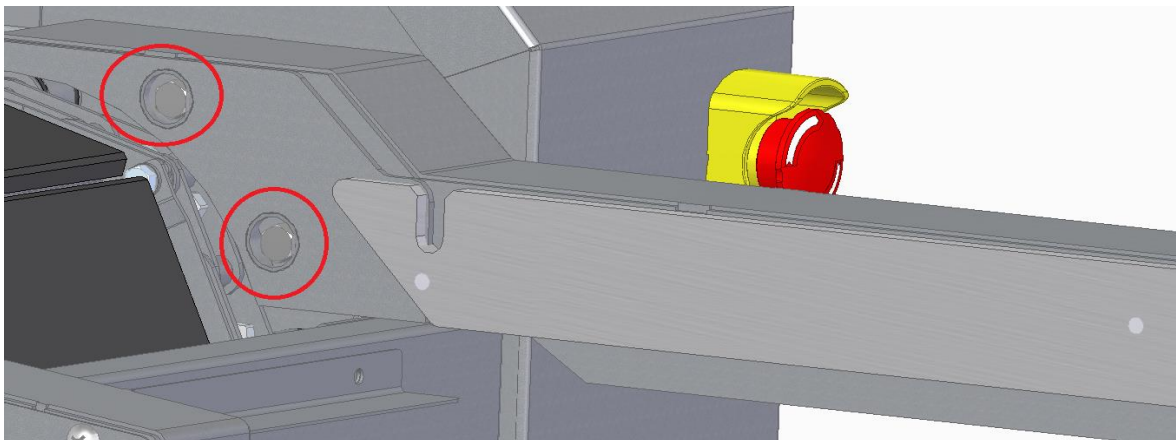
Remove the crumb tray below the conveyor and take off the bolts and the conveyor end



Then disengage the knob

(Please note, you may need to roll the mesh back and forth until you find the center where you may pull on it)

Step 1.2



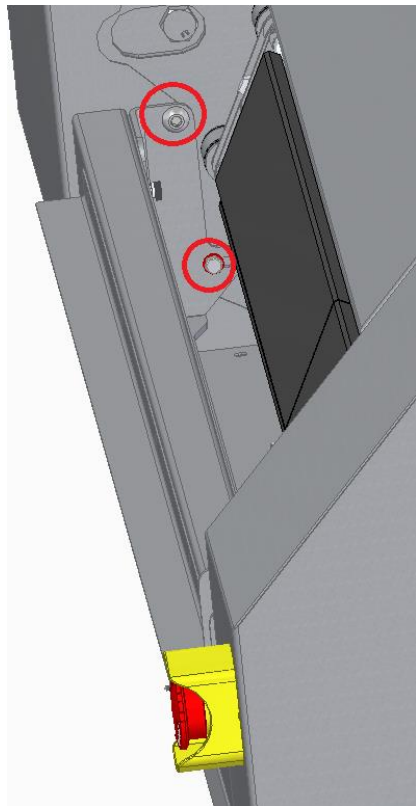
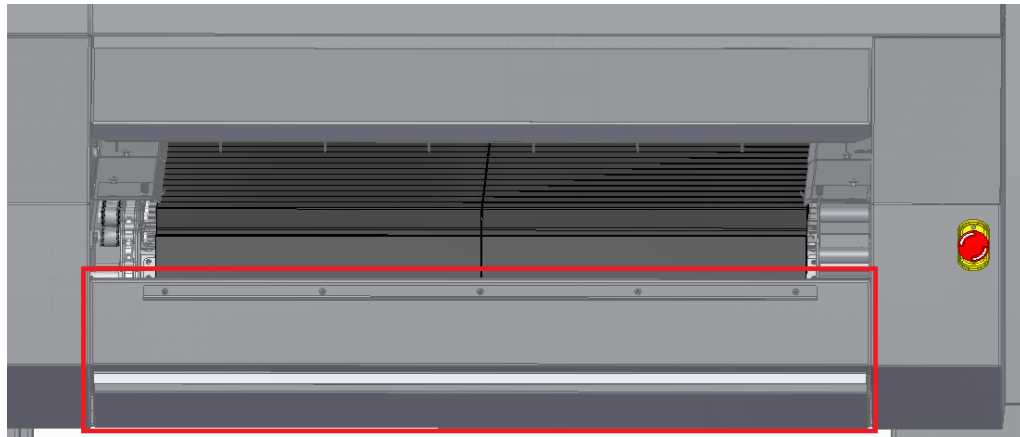
Undo the bolts and pull to remove each arm

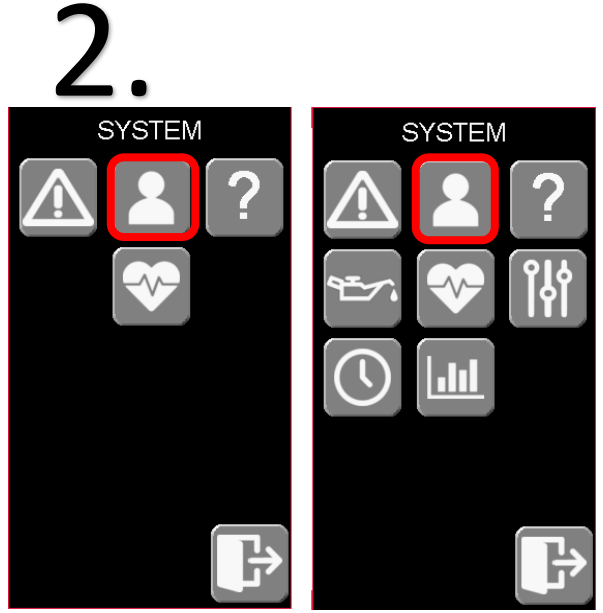


Step 1.3

Then remove the bottom hood

Locate and remove the bolts on each side





Step 2

You will then need to jog the conveyor to position the desired bushing towards the end of the conveyor

1. Press the system button on the bottom right corner of the main screen.
2. In the system menu, press the person icon to select the USER menu
3. Press the LOGIN button and then login using the following credentials:

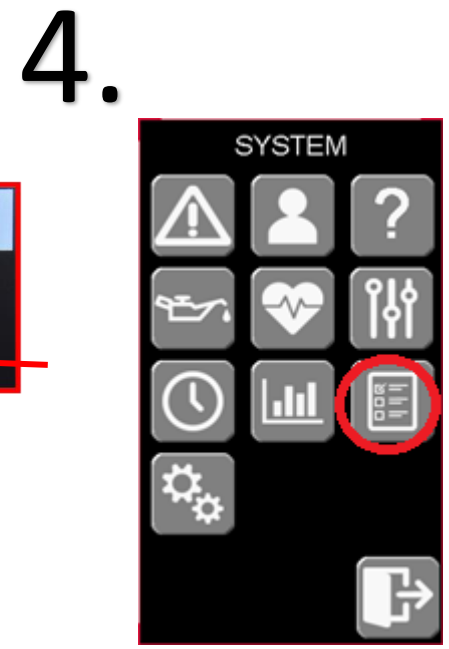
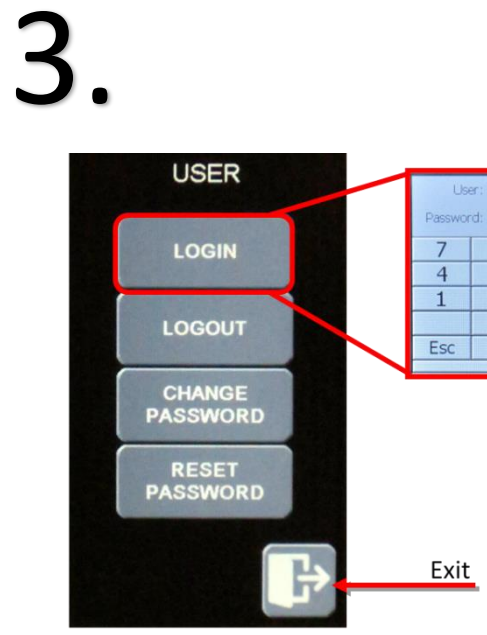
User = 2

Password = 911

Then press on the enter key (arrow on the bottom right)

Please note there is no confirmation if the login was a success, only an error message if it is not.

Finally select the exit door

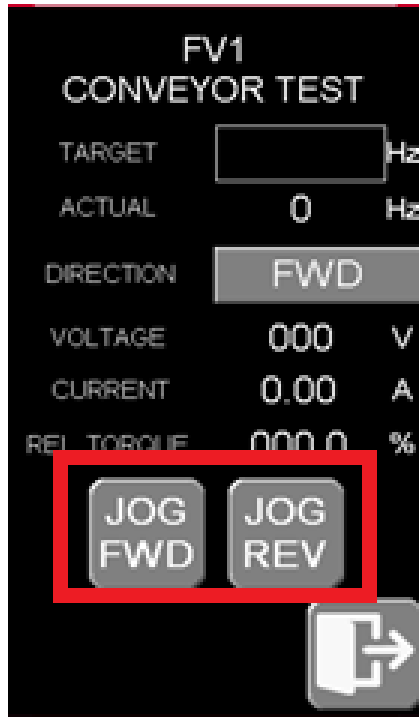


4. In the system menu, press the "checklist" icon

5.



6.



Step 2.2

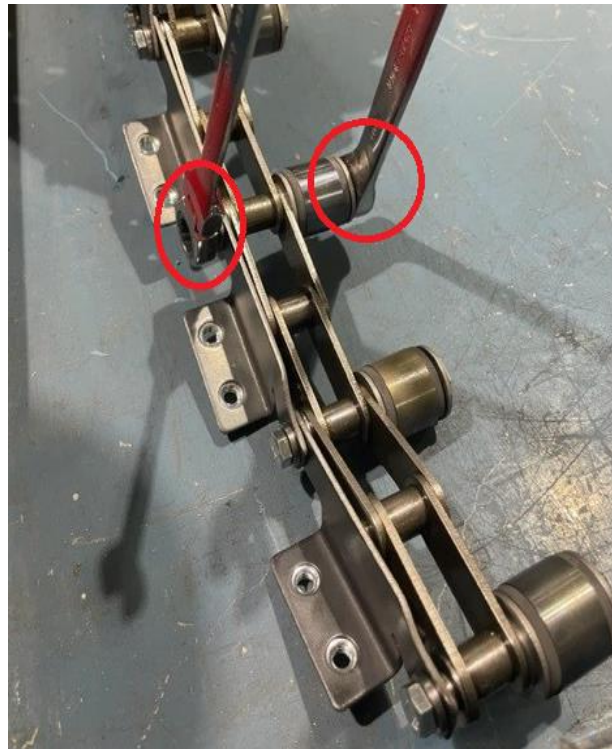
5. To access the JOG menu, press the conveyor icon

6. JOG allows the conveyor to be rotated forward or reverse when the button is pressed. You must hold the button to keep the conveyor in JOG.

Step 3

Removing the bushing

You will need a 14 and 10mm wrench. Position them as depicted, on each end of the bolt which is holding the bushing in place and then remove the assembly.



Step 4

Install the new bushing

Note the order in which the parts are assembled

Continue to jog the conveyor until all the bushing you must replace are taken care off.

Finalize by following the previous steps and put the bottom hood and conveyor back in place to get the oven back in it's original state

