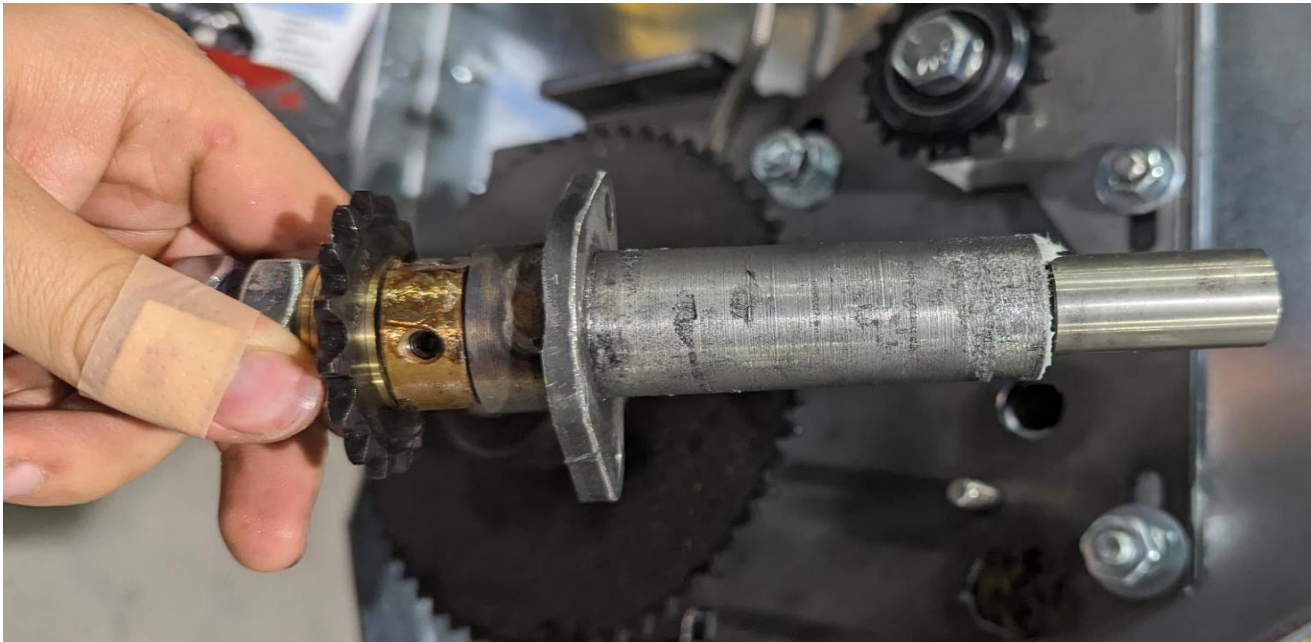


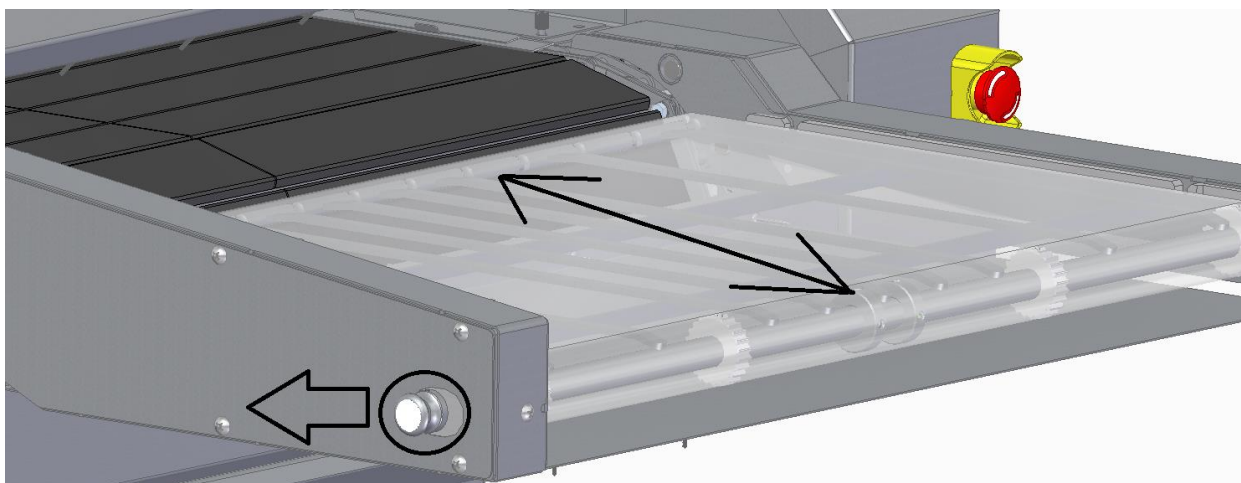
How to replace (HR11-0045-A)



Step 1 Male end

Start by removing the mesh conveyor

Remove the crumb tray below the conveyor and take off the bolts and the conveyor end

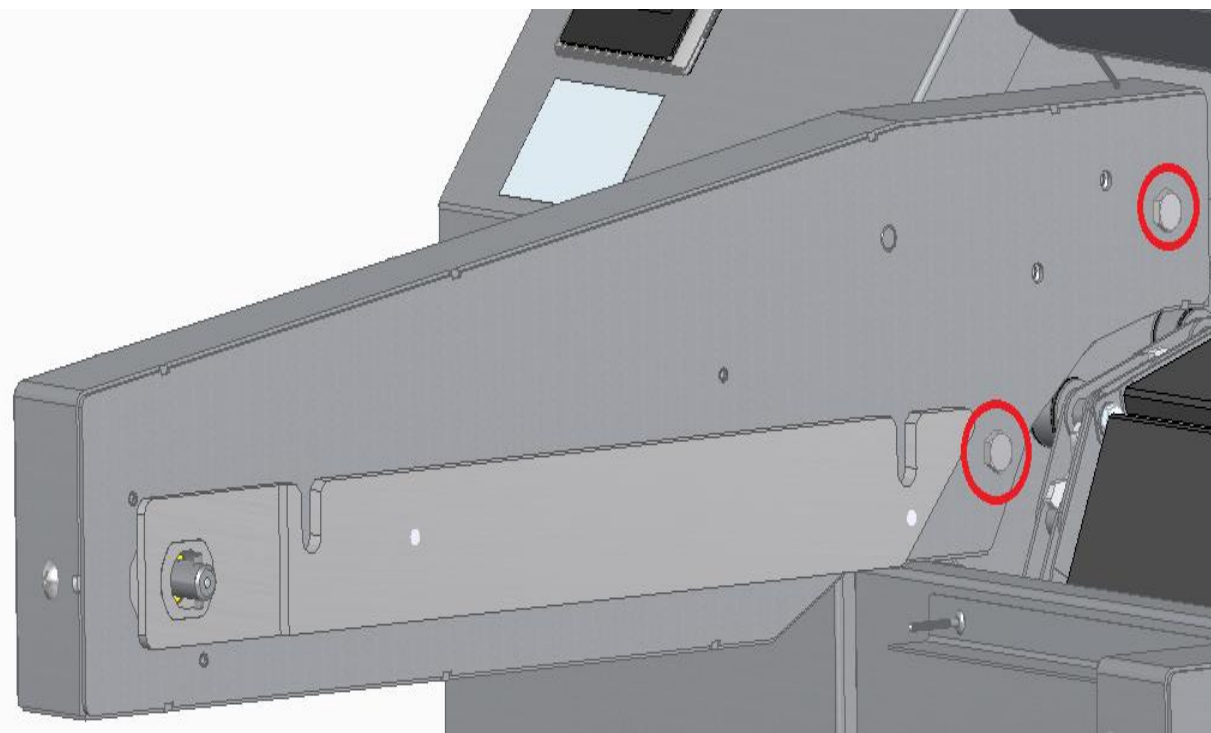


Then disengage the knob

(Please note, you may need to roll the mesh back and forth until you find the center where you may pull on it)

Step 1.2 Male end

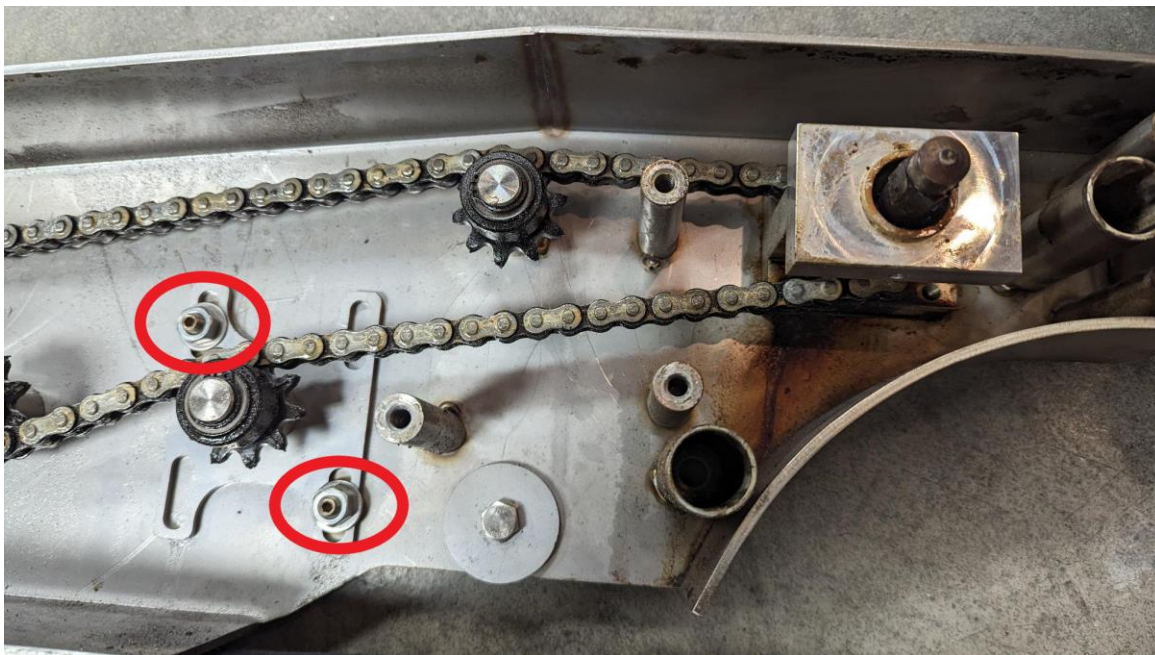
Undo the bolts and pull to remove each arm



Step 2 Male end

After the arm is removed you can take a philips head screwdriver to take out the screws that holds the stainless steel plates





Step 3 Male end

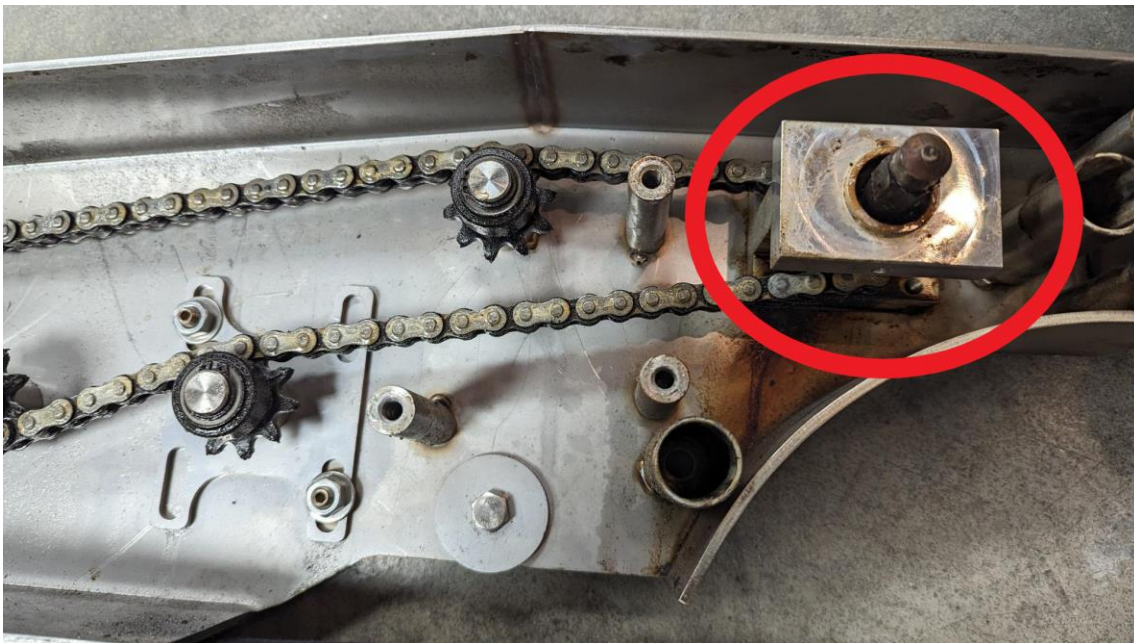
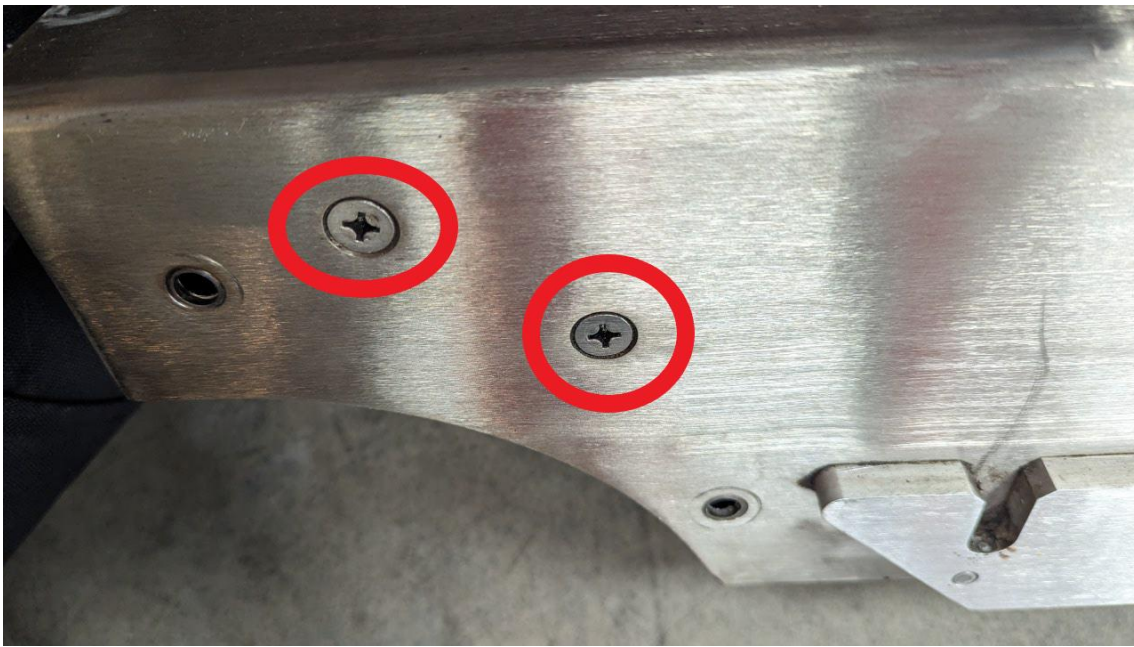
Now that the plates are removed
You will have to release the
tension by loosening the nuts
holding the tensioner in place



Locate the masterlink holding the
chain together and take it off

Step 4 Male end

Now that you've taken the chain apart you can then take off the male end of the HR11-0045-A by removing the screws. You can now replace it with the new part and do the steps of this section (step 3 and 4) backwards.





Step 1 Female End

Unplug the electrical connection. Make sure that the oven is not powered.

This is for your safety.

Take off the side panels.



You will be able to do so after moving the oven off the wall.

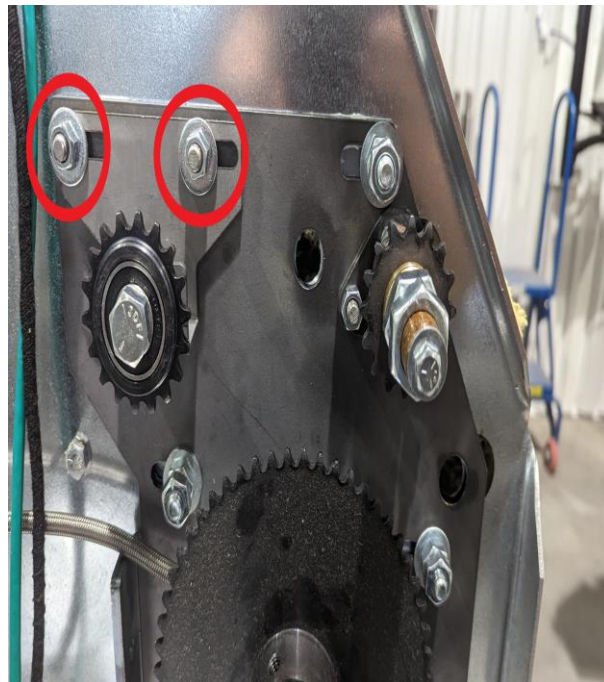
To remove them you have to turn the latches by turning them a quarter of the way counterclockwise or by removing the screws depending on the oven's panel type.

Step 2 Female end

Depending on which HR11-0045-A you are changing you will either have to look in the left or right corner.

The process is the same on either side.

Release the tension by loosening the nuts in order to take the chain off.



Step 3 Female End

Now that you've released the tension

You can simply take off the chain and unscrew the nuts holding the female end inside the oven.

You can now replace the HR11-0045-A female end with the new one and redo the steps backwards

