

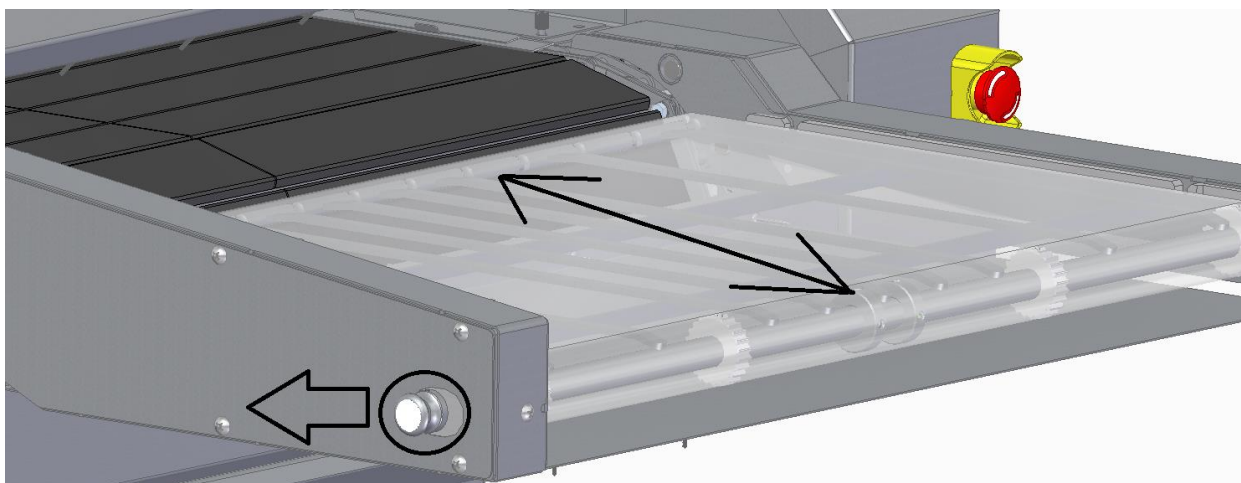
# How to replace HR11-0130-A



# Step 1

Start by removing the mesh conveyor

Remove the crumb tray below the conveyor and take off the bolts and the conveyor end

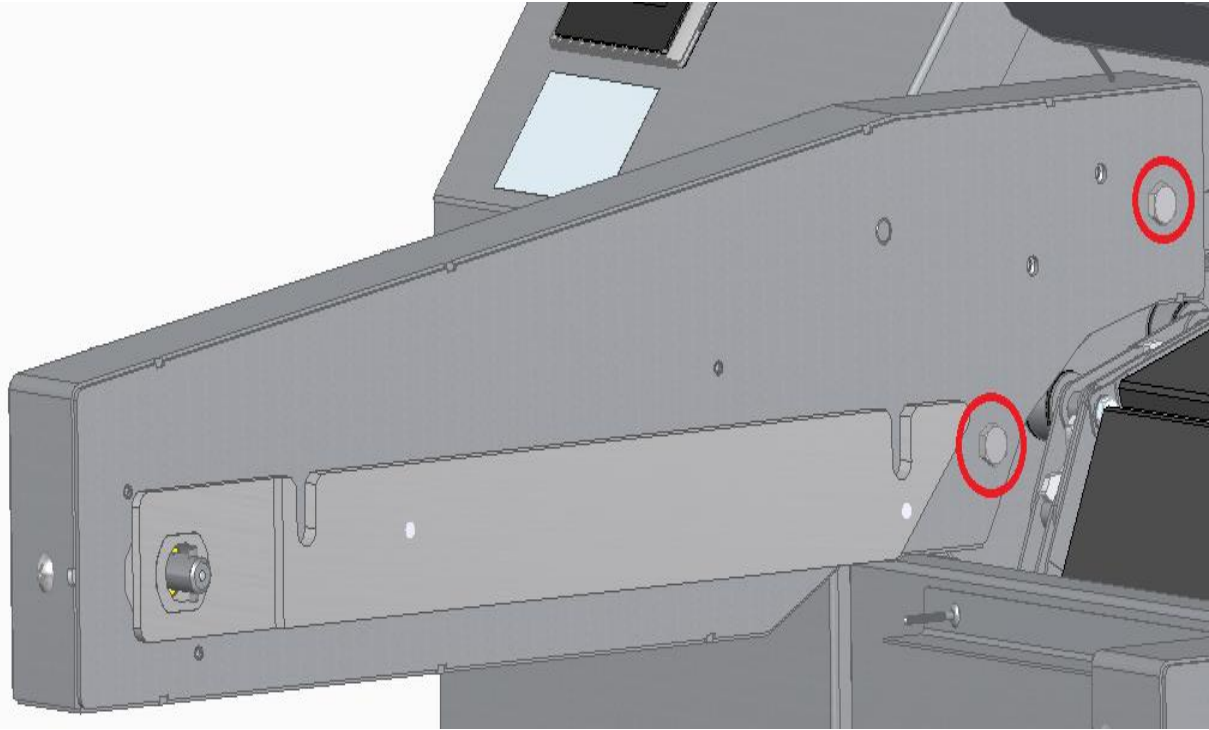


Then disengage the knob

(Please note, you may need to roll the mesh back and forth until you find the center where you may pull on it)

## Step 2

Undo the bolts and pull to remove each arm



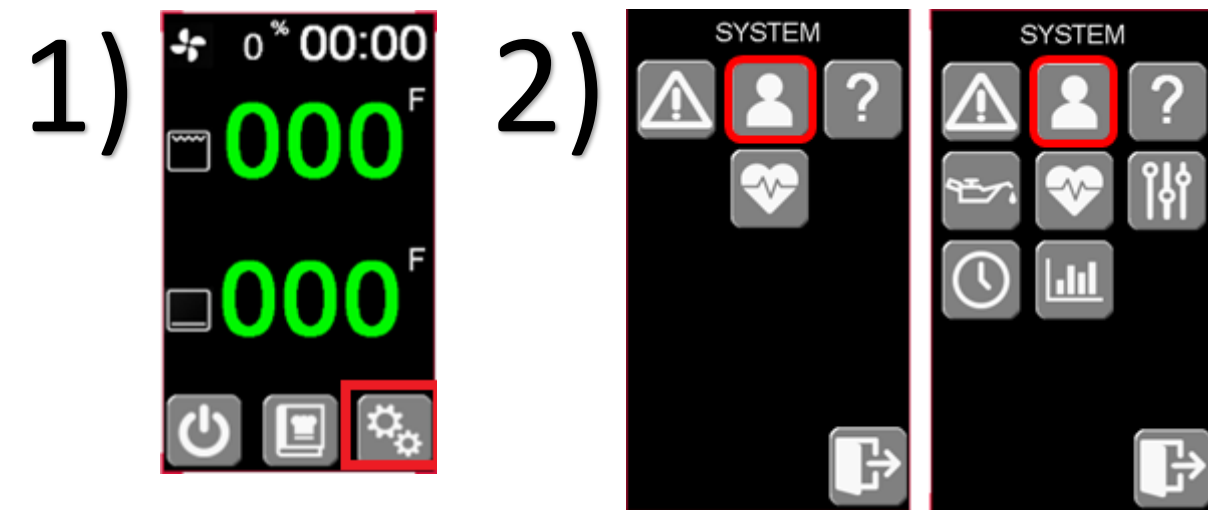
## Step 3

You will need to take off ALL of the stone rows in the unit

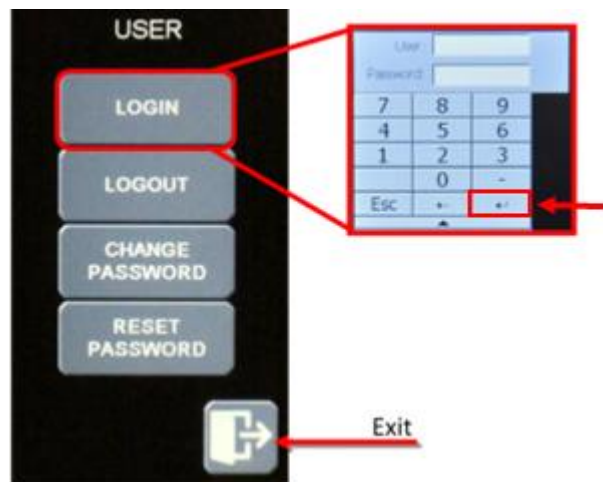
The best way to do so is to take off one row at a time and stack it onto a nearby table or the top of the unit

To access each row you will need to jog the conveyor :

- 1) Press the system button on the bottom right corner of the main screen
- 2) In the system menu, press the person icon to enter the USER menu.



3)



## Step 4

3) Press the LOGIN button and then login using the following credentials:

**User: 2**

**Password: 911**

**Enter**

If you get an error message, there was a mistake in the credentials.

Press the exit button

4)



4) In the system menu, press the INPUTS / OUTPUTS button

# Step 5

5) To access the JOG menu, press the conveyor icon

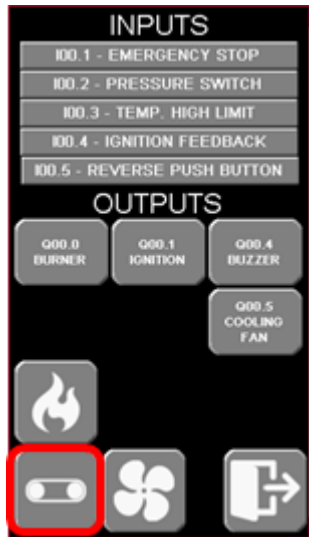
6) Enter a fix conveyor speed value (10 - 90: 10 low speeds, 90 Hi speed)

Allows you to change the direction of the conveyor (only in this menu).

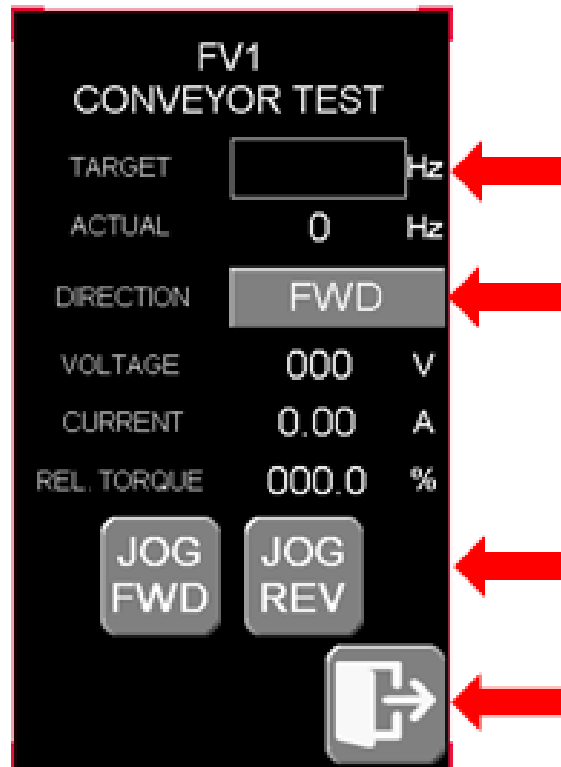
JOG allows the conveyor to be rotated forward or reverse when the button is pressed. You must hold the button to keep the conveyor in JOG. We will use this function in order to remove each stone row

Exit

5)



6)

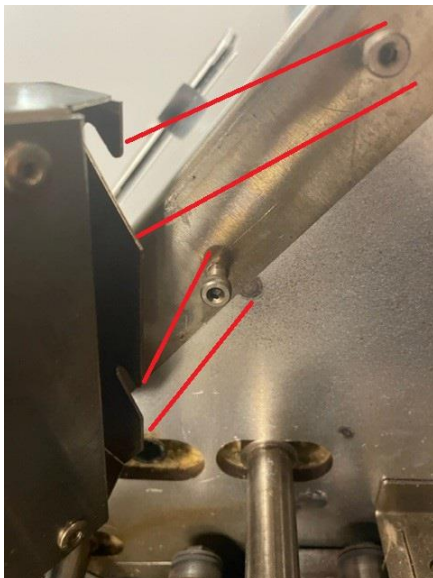
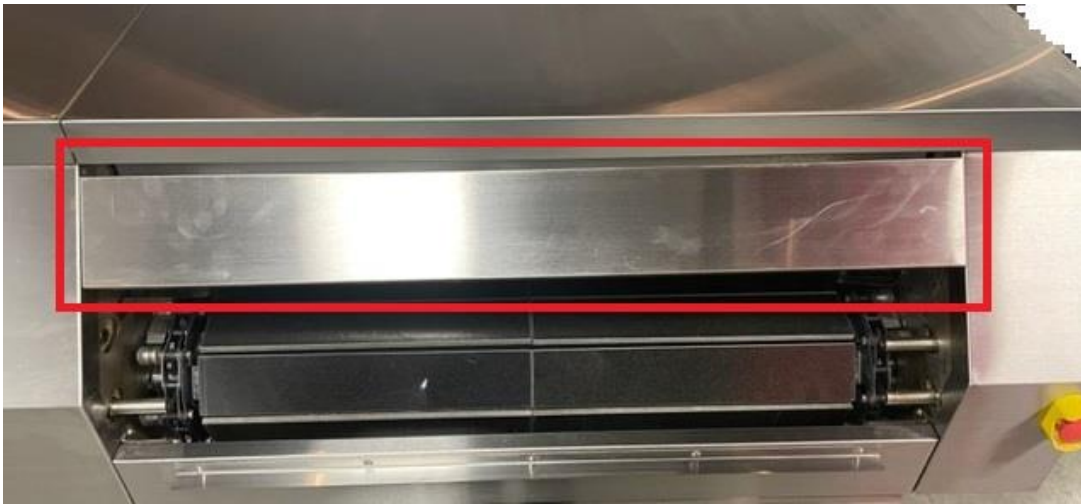


## Step 6

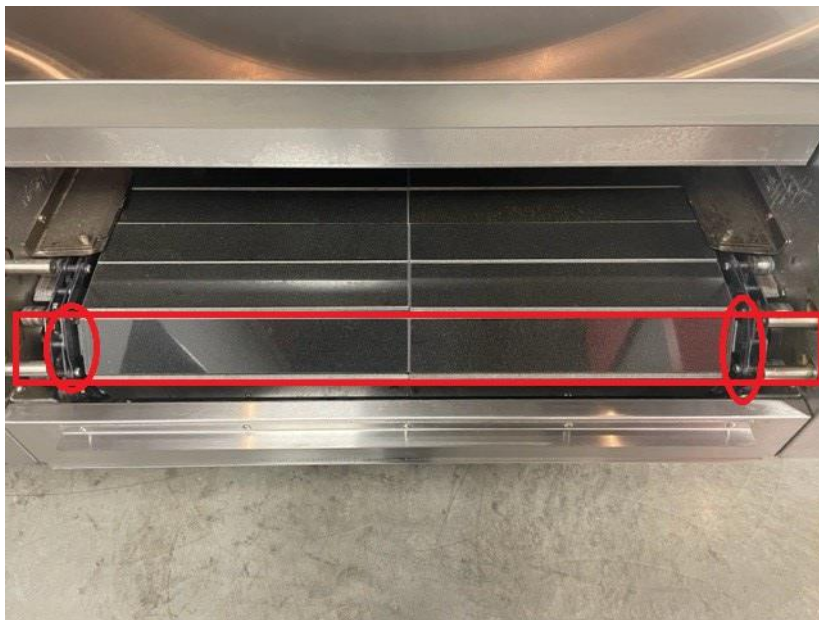
Remove the top hood off in order to clear your work space more

Simply pull on it towards you and slightly upwards

See on the 2<sup>nd</sup> picture how it is holding to the bolts



## Step 7



Remove one stone row at a time by removing the 2 bolts on each side (please note when it will be time to put them back in the oven these bolts MUST be torqued at 105 LBS-IN)



## Step 8

Once you've removed all the stone row from the unit you will be ready to loosen the tension on the chain

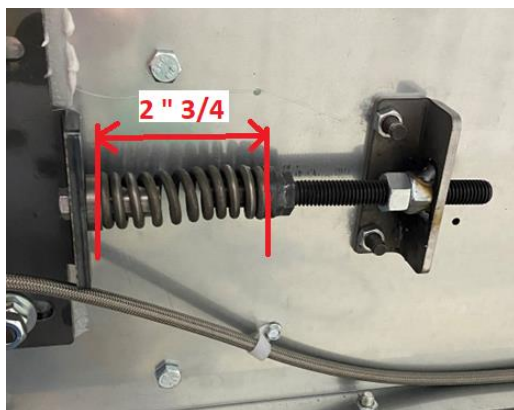
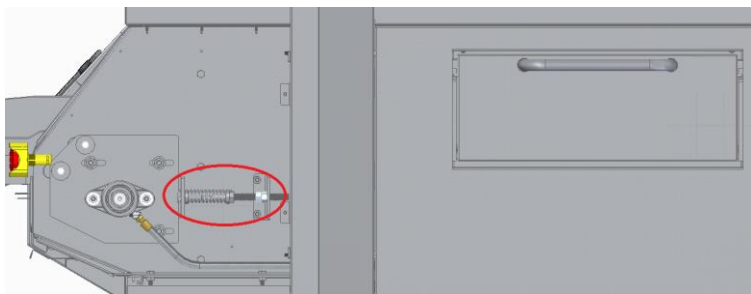
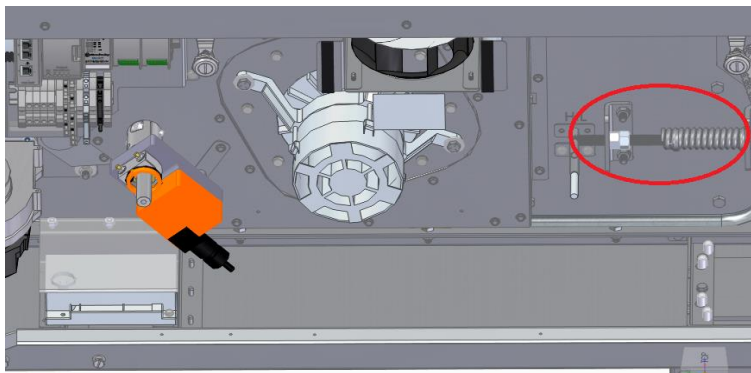
Unplug the electrical connection. Make sure that the oven is not powered, also disconnect the gas supply.

Take off the side panels.

You will be able to do so after moving the oven off the wall.

To remove them you have to turn the latches by turning them a quarter of the way counterclockwise or by removing the screws depending on the oven's panel type.





## Step 9

Find the tensioners in the unit, there are 2 of them that you will need to release tension from.

The first is inside the electrical panel on the right of the convection motor.

The second will be on the front on the left side of the main door.(to access this one you must take off the corner)

Note that when tensioned properly the distance between one end of the spring to the other should be exactly 2"  $\frac{3}{4}$ , not including the nuts, **only the spring.**

1.

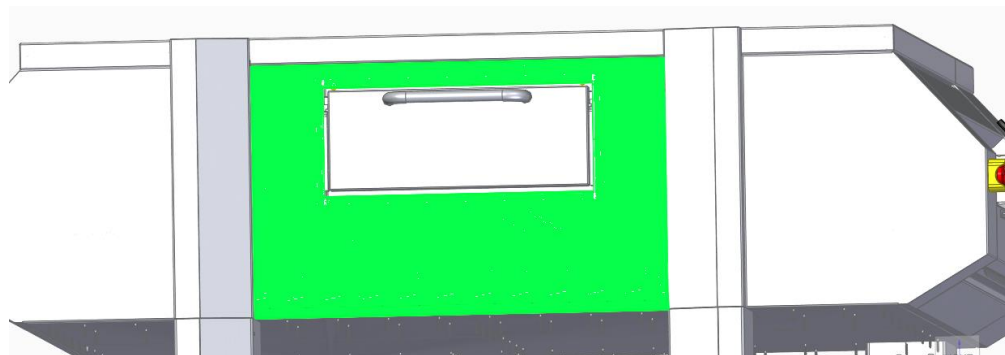


## Step 10

To access the front corner you must :

- 1. Find the 2 screws on the "roof" above the front door and remove them (Note that depending on the time the unit was built you may need to open the door to see them on the top portion of it)

2.



- 2. Remove the front panel

3.



## Step 11

To access the front corner you must :

- 3. Remove each of the 2 column covers, they are held in by 5 bolts each

4.



- 4. Remove the mesh conveyor, arms, mesh and small and big crumb trays

5.



## Step 12

- 5. Remove the bottom hood indicated on the picture

6.



- 6. Remove the last bolt holding the corner in place

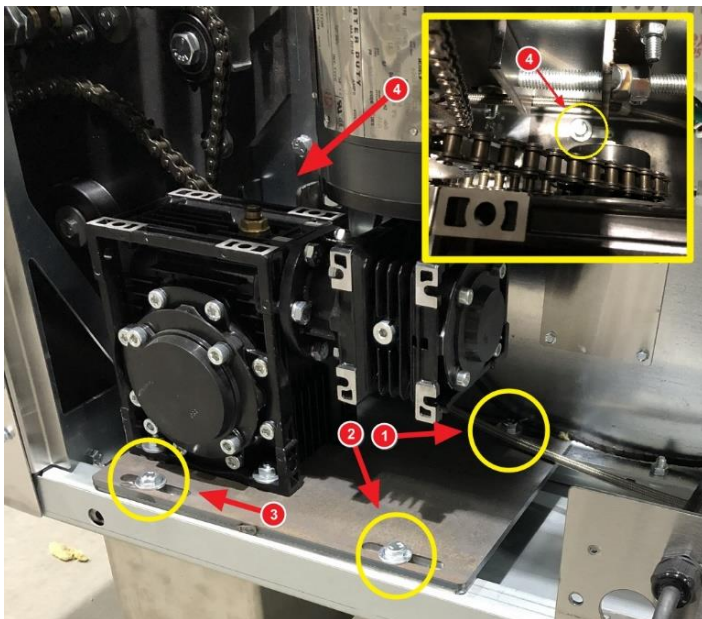
7.



- 7. Wiggle off the side corners

# Step 13

A)

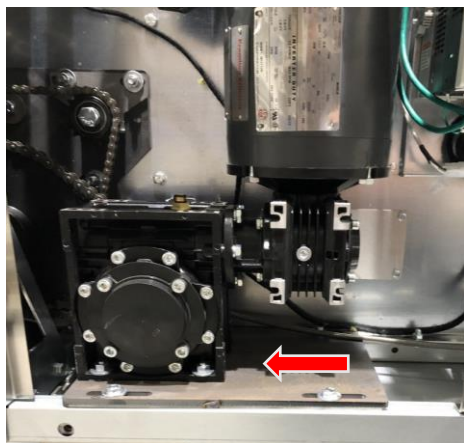


A) Unscrew the 4 bolts that hold the plate in place

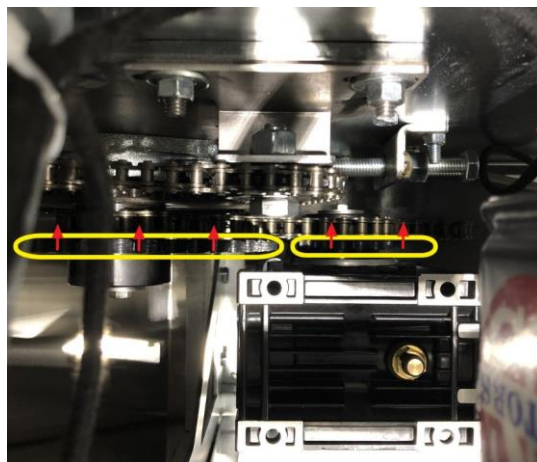
B) Push the drive system fully forward

C) Take the chain off of the sprockets

B)



C)



## Step 14

After releasing the tensioners, you will now be able to take the chain that needs repairing off the unit.

The only missing step being to find the master link and open it up.

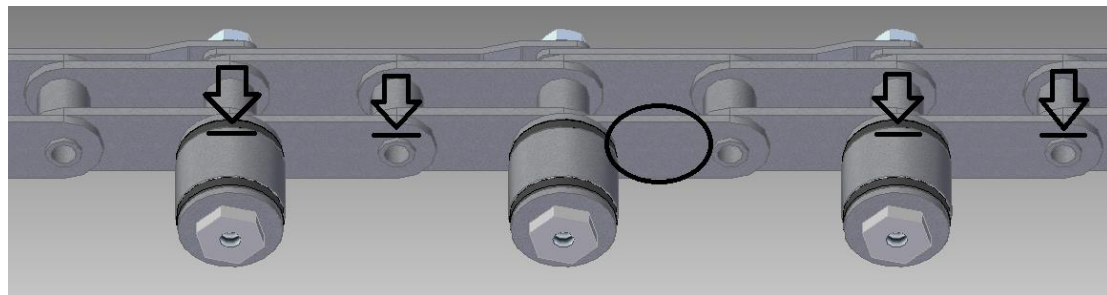
There will be only one link where the side bracket is held in by circlips.



Once you've undone the master link, pull the chain off the unit and put it down on a table to perform the rest of the work

## Step 15

You must now take the broken link and open up the chain around it in order to replace it with the new parts.



In the example on the side, assuming the link circled is the one that needs to be replaced, you would need to trim down the rivets (pointed by the arrows) in order to open the chain.

Afterwards replace the parts with the new ones and the new master links provided and repeat the step backwards to put the oven back together.