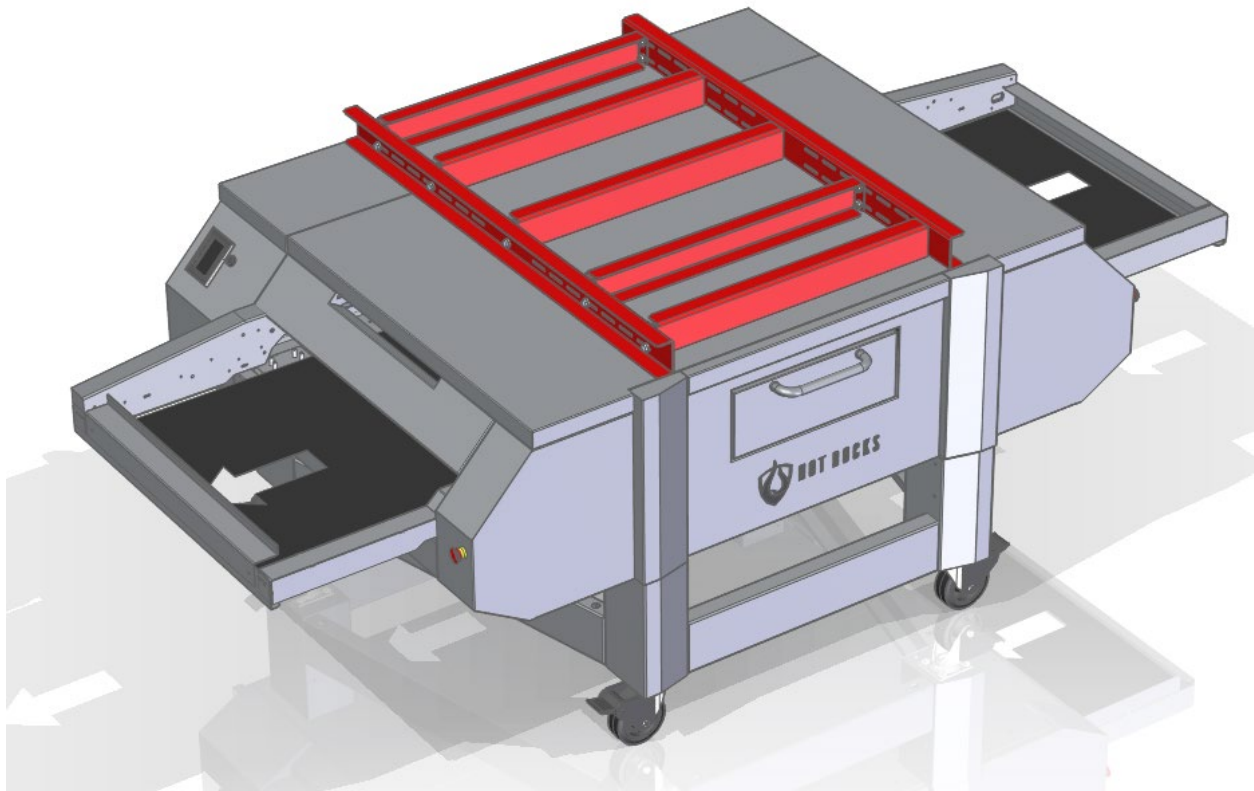




HOT ROCKS

Hot Rocks Oven GEN3 – Reinforcement beam for oven stack installation guide



FOR SUPPORT
service@hotrocksoven.com

1 800 668-1883

This document purpose is to guide the user to position reinforcement beam for deck oven stack.

1 Warnings

Before to begin the installation, read carefully



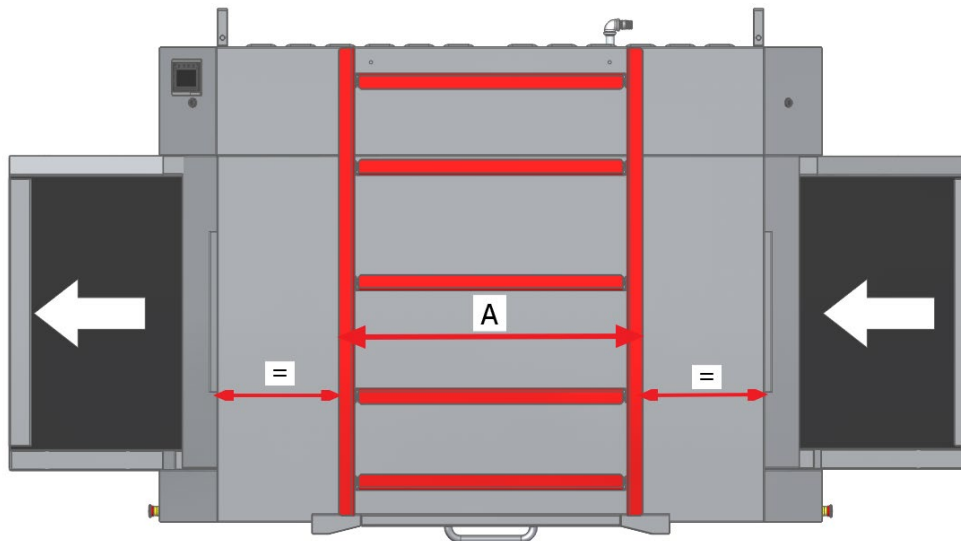
WARNING: BE SURE TO HAVE HEAVY DUTY CASTER WHEELS 2000 LBS CAPACITY EACH ON YOUR HOT ROCKS OVEN BEFORE STACKING ANYTHING ON IT. AVOID THIS RECOMMENDATION CAN CAUSE WHEELS AND STRUCTURAL FAILURE LEADING TO IRREVERSIBLE DAMAGE.

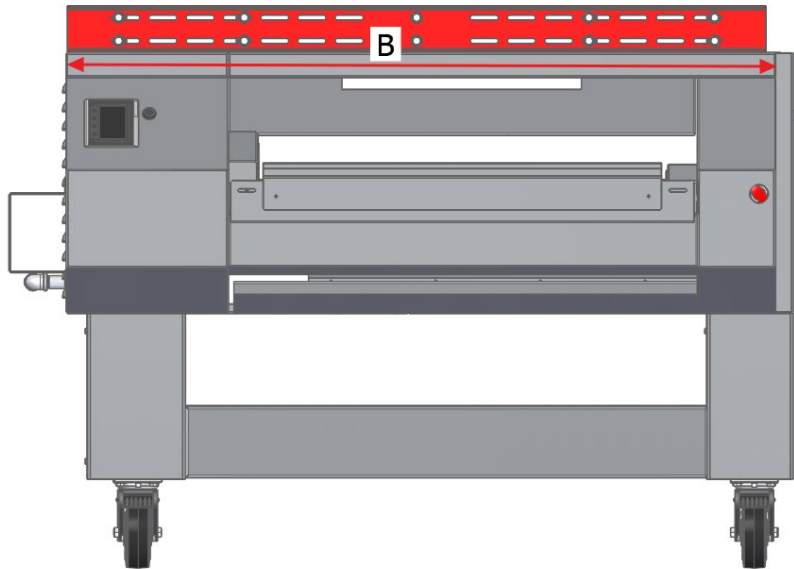


WARNING: BE SURE THE WEIGHT OF YOUR DECK OVEN IS LESS THAN 3500 LBS. STACKING AN OVEN HEAVIER THAN THIS CAN CAUSE SEVERE IRREVERSIBLE DAMAGE TO THE HOT ROCKS STRUCTURE.

2 Reinforcement Beams Positioning

- Place and position your beams on the oven. Assembly must be carefully centered as shown below. "A" parts can be positioned anywhere between as stacked deck requirements.





WARNING: AVOID POSITIONNING THE SUPPORTING BEAMS "B" CENTERED AS SPECIFIED CAN DAMAGE THE OVEN. THESE SUPPORT MUST REACH AND BE ALIGNED WITH INNER OVEN STIFFNER PARTS.

See below the table showing the dimensions "A" between beams and length "B"

	"A" inch (mm)	"B" inch (mm)
HR-70-22	38 1/2 (980)	48 (1220)
HR-70-33	38 1/2 (980)	60 (1520)
HR-93-33	38 1/2 (980)	60 (1520)

You are now ready to put your deck oven on.

2555, Alfred Nobel, Drummondville
 (Québec) Canada J2A 0L5
 T : 819 395-5151 / 855 395-5252
 F : 819 395-5343

hotrocksoven.com

Follow-us

