



HOT ROCKS

SPECIFICATION SHEET

FEATURES



- / Granite stone conveyor guarantees an even distribution and retention of heat
- / Compatible with natural or propane gas
- / User friendly touchscreen panel
- / Up to 4 programmable recipes
- / 2 to 30 minutes cook-time
- / Top convection temperature up to 750°F (400°C)
- / Baking surface temperature up to 600°F (315°C)
- / Easy to access crumb trays
- / Stainless steel wire mesh entry and exit conveyor
- / Simplified removal of entry & exit conveyors
- / Stainless steel exterior panels
- / Large side door
- / Stackable up to 3 decks high
- / On wheels for easy moving

OVEN OUTPUT

HR-70-22 (Baking Surface: 22 inch width x 70 inch length)													
Pizza Size		12 inch			14 inch			16 inch			18 inch		
Cooking Time (min)		4	5 1/2	7	4	5 1/2	7	4	5 1/2	7	4	5 1/2	7
# Pizzas per Hour	1 Deck	90	65	51	75	54	42	60	43	34	52	38	30
	2 Decks	180	130	102	150	108	84	120	86	68	104	76	60
	3 Decks	270	195	153	225	162	126	180	129	102	156	114	90

HR-70-33 (Baking Surface: 33 inch width x 70 inch length)													
Pizza Size		12 inch			14 inch			16 inch			18 inch		
Cooking Time (min)		4	5 1/2	7	4	5 1/2	7	4	5 1/2	7	4	5 1/2	7
# Pizzas per Hour	1 Deck	150	109	85	135	98	77	120	87	68	75	54	42
	2 Decks	300	218	170	270	196	154	240	174	136	150	108	84
	3 Decks	450	327	255	405	294	231	360	261	204	225	162	126

HR-93-33 (Baking Surface: 33 inch width x 93 inch length)													
Pizza Size		12 inch			14 inch			16 inch			18 inch		
Cooking Time (min)		4	5 1/2	7	4	5 1/2	7	4	5 1/2	7	4	5 1/2	7
# Pizzas per Hour	1 Deck	215	156	123	186	135	106	164	119	94	110	80	63
	2 Decks	430	312	246	372	270	212	328	238	188	220	160	126
	3 Decks	645	468	369	558	405	318	492	357	282	330	240	189

/ Extended Warranty Program – includes an extra year warranty for a total of 2 years instead of one, PLUS 4 maintenance kits per oven to cover all your maintenance for the next 2 years.

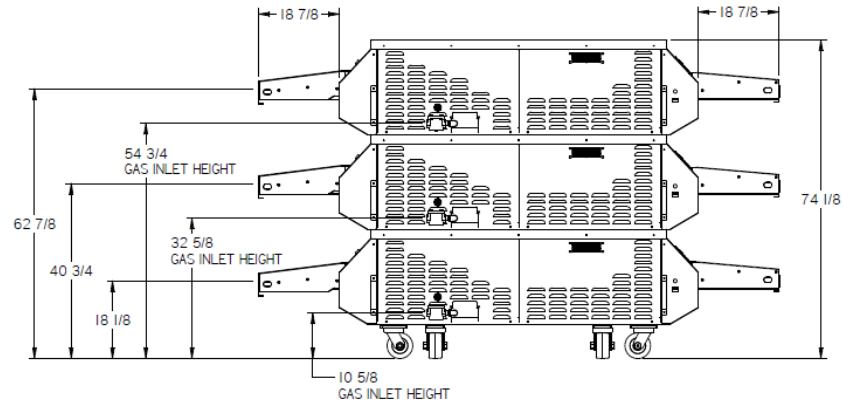
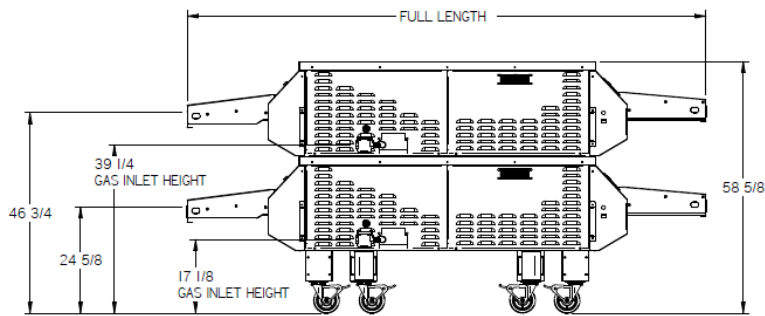
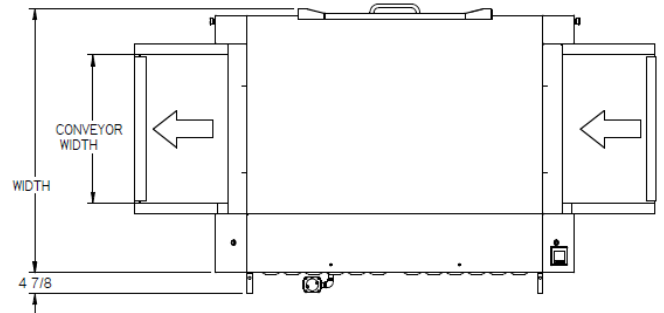
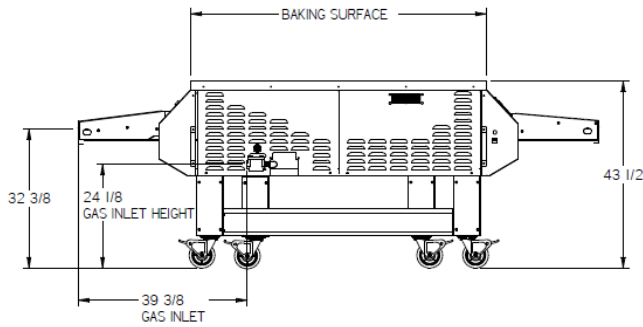
/ Warranty – Standard 1-year warranty on parts and labour, under normal use and service conditions. With the Extended Warranty Program, an additional year is given for a total of two (2) years.



HOT ROCKS

DIMENSIONS

	HR-70-22		HR-70-33		HR-93-33	
BAKING SURFACE	70 inch	178 cm	70 inch	178 cm	93 inch	236 cm
CONVEYOR WIDTH	22 inch	56 cm	33 inch	84 cm	33 inch	84 cm
FULL LENGTH	123 ½ inch	314 cm	123 ½ inch	314 cm	146 ½ inch	372 cm
WIDTH	50 ½ inch	128 cm	61 ½ inch	156 cm	61 ½ inch	156 cm



NOTE

- / Minimum 6 inches of clearance is required on all sides of the oven.
- / When stacking multiple ovens, a high temperature silicone must be applied between each unit to provide a proper seal.



HOT ROCKS

INSTALLATION SPECIFICATIONS

During the entire install, the customer must close their business. (Installs average 8-12 hours)

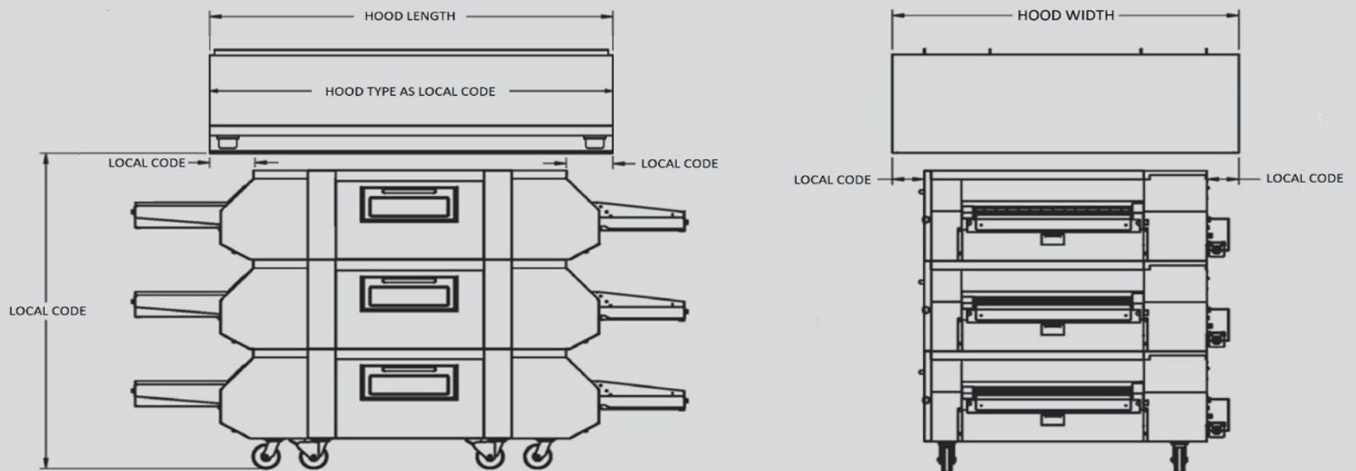
/ A Hot Rocks authorized technician will unload and assemble the oven at the customer's location. All oven parts can fit through a standard 36" x 80" door.

/ All electrical, gas, and ventilation hook-ups are at the customer's expense.

/ This work must be done by the proper trade professionals and in accordance to local codes.

VENTILATION REQUIREMENTS

A ventilation specialist is required



NOTE

/ If a ventilation interlock device is required, refer to document. Contact Hot Rocks customer service for the *Ventilation Interlock for gas oven (7-0025-EA)* document copy.

/ A 30ft (10m) cable is available to connect to the interlock device if this option is chosen.

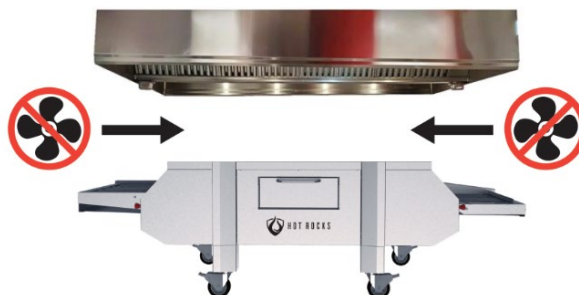
/ A jump connector is included with the oven if the interlock device is not required.

/ A dedicated gas pressure regulator is supplied with the oven. The internal oven regulator must be adjusted between 6" and 8" W.C. otherwise poor performance, ignition problem and damage to the oven may occur.

/ Hood type must meet your local code. Refer to your fire marshal or ventilation specialist.

/ Air make-up required. See a ventilation specialist.

/ Draft passing through the oven can cause severe cooking inconsistencies. See diagram below for example.





ELECTRICAL REQUIREMENTS

A certified electrician is required for the installation

	Voltage	Amps	Volt-Ampere	Phase	Hertz	Cabling
All Models	208-240V	10A	2400V-A maximum	1PH	60Hz	3 wire cord



- NOTE**
- / Electrical connections must be made to get the proper electrical plug or directly from the main control box or from the service output to the oven in advance of the installation day.
 - / The oven comes with 5 feet power cord and 15A 250VAC plug type NEMA 6-15R. The plug can be fitted with an adaptor or changed by an electrician following the electrical requirement.



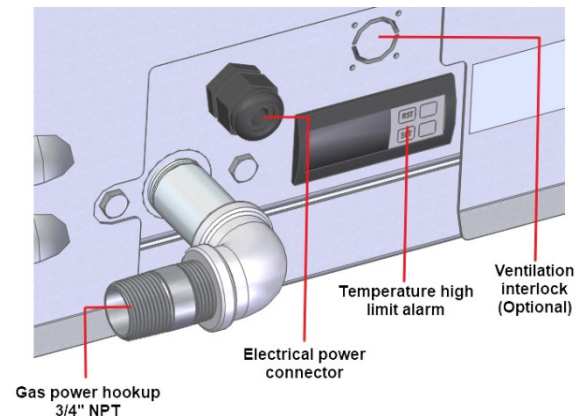
Example of plug 15A 250VAC type NEMA 6-15R:

PLUMBING REQUIREMENTS

A certified gas service technician is required on site for the installation

Type	Gas Pipe Inlet per Deck	Oven Gas Valve Inlet Pressure	Maximum Power Per Deck (BTU/HR)		
			HR-70-22	HR-70-33	HR-93-33
Natural	¾ NPT	6-8 inch W.C.	100,000	140,000	170,000

- NOTE**
- / Safety chains must connect the oven to the wall to prevent it from moving. Anchoring must be done by the customer. The length of the safety chain must prevent the flexible hoses from straightening.
 - / Safety chains are included with the oven.
 - / The gas hose and fitting does not come with the oven. The customer must purchase one and have it available on site for the installation day.
 - / The oven comes with male 3/4" NPT end connection.





HOT ROCKS

SHIPPING INFORMATION

SHIPPED FLAT (HORIZONTAL)

	CRATE #1			CRATE #2				
	WEIGHT LBS (KG)	APPROX. DIMENSIONS inch (cm)			WEIGHT LBS (KG)	APPROX. DIMENSIONS inch (cm)		
		L	W	H		L	W	H
HR-70-22	1,393 (633)	98 (249)	71 (180)	51 (130)	640 (291)	49 (125)	25 (64)	40 (102)
HR-70-33	1,506 (685)	98 (249)	80 (203)	51 (130)	860 (391)	49 (125)	36 (92)	44 (112)
HR-93-33	1,703 (774)	123 (313)	80 (203)	51 (130)	1,100 (500)	49 (125)	36 (92)	48 (122)

SHIPPED ON OVEN'S SIDE (VERTICAL)

	CRATE #1			CRATE #2				
	WEIGHT LBS (KG)	APPROX. DIMENSIONS inch (cm)			WEIGHT LBS (KG)	APPROX. DIMENSIONS inch (cm)		
		L	W	H		L	W	H
HR-70-22	1,393 (633)	98 (249)	48 (122)	71 (180)	640 (291)	49 (125)	25 (64)	40 (102)
HR-70-33	1,506 (685)	98 (249)	48 (122)	80 (203)	860 (391)	49 (125)	36 (92)	44 (112)
HR-93-33	1,703 (774)	123 (313)	48 (122)	80 (203)	1,100 (500)	49 (125)	36 (92)	48 (122)